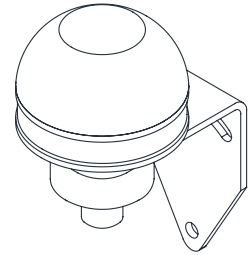
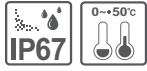


Multiple Color Programmable LED Signal Beacon Light with IO-Link Technology

QDB50-IOL



Thank you for purchasing Qlight's products. Please read this user manual carefully prior to installation and operation to ensure safe and correct use.

⚠ Precautions for Safety

Failure to follow the instructions below may cause a loss of life or serious physical injury.

1. During wiring or maintenance, please completely turn off the power of the product. (Failure to follow this may lead to an electric shock.)
2. Do not install the product in locations that subjects it to excessive dust or water other than the conditions designated by the IP protection ratings indicated for each product. (Failure to follow these instructions may cause a fire to the product, electric shock, physical injury, malfunction or damage to the product.)
3. Do not alter or repair this product. If maintenance or repair service is required, please contact your local Qlight contact point. (Failure to follow these instructions may lead to fire, electric shock, or product damage.)
4. Please apply the correct voltage to the product. (Failure to follow these instructions may lead to fire, electric shock, or product damage.)
5. When the product is applied to a condition that may impact lives or property, please make sure to have a double safety device. (Failure to follow this may cause damage to property, fire, electric shock and loss of life.)

⚠ Precautions for Correct Use

Failure to follow the proper instructions may cause damage to property, the product, or malfunction of the product that would void the warranty.

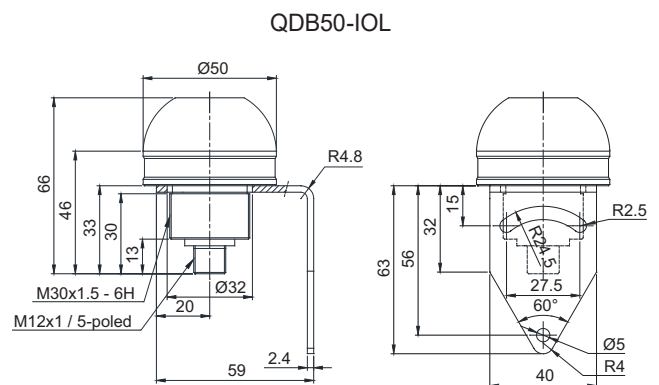
1. Please remove any objects that can interrupt ventilation around the product.
2. Please turn off the power of the product immediately if it fails to operate properly.
3. Carefully wire the product according to each product's specification.
4. Please be careful in preventing chemicals such as thinner, benzene, etc. in contact with the surface of the product.
5. Do not apply excessive force/impact to the product.
6. Failure to follow any of the instructions above may cause malfunction or damage to the product, fire, and electric shock.

Ordering Specifications

QDB50-IOL	-	24
[Model number]		[Voltage]
• QDB50-IOL		• 24 - DC24V

Dimensions

(Units : mm)



Product Specifications

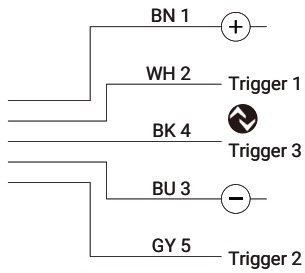
Model number	Voltage	Certificate	Weight	Color
QDB50-IOL Steady	DC24V		0.116kg	R-Red A-Amber G-Green B-Blue W-White O-Orange P-Pink Custom



Please scan the QR code for more detailed product information.

www.qlight.com

Wiring Instructions



■ Operating mode: External trigger

TRIG 1	TRIG 2	TRIG 3	Pre-set	Factory setting
0	0	0	1	Off
1	0	0	2	Red
0	1	0	3	Green
1	1	0	4	Yellow
0	0	1	5	Blue
1	0	1	6	Red blinking
0	1	1	7	Green blinking
1	1	1	8	Yellow blinking

- All Trigger Inputs have a delay -50 ms.
- Pre-sets can be defined via IO-Link.

Installation Environment and Protection Rating

- This product is designed for indoor use with protection rating of IP67.
- If the product is installed in locations that subject it to excessive dust or water other than the designated IP protection rating indicated, it may cause malfunction or damage to the product.
- For further information, please visit our website (www.qlight.com).