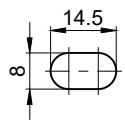
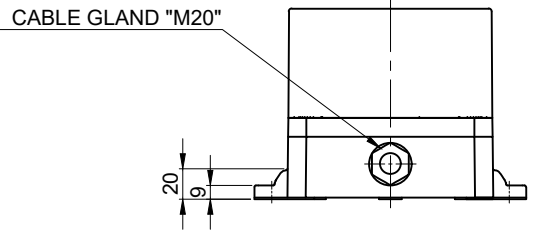
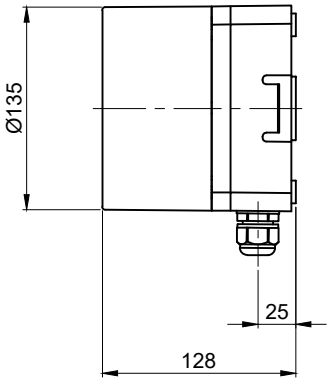
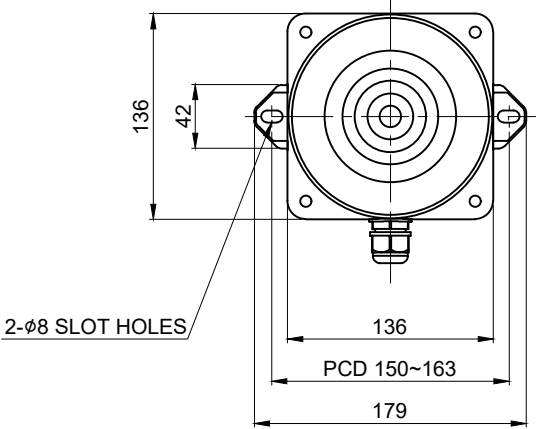


MARK	DATE	REVISION	REVISER	APP. BY
△1				
△2				
△3				

MODEL NO		QWH35B	
MATERIAL		HORN-PC+ABS	
		HOUSING-PC+ABS	
COLOR OF LENS		RED(), AMBER(), GREEN(), BLUE()	
USE VOLT.	CURRNET	DC12V	MAX. 0.32A
		DC24V	MAX. 0.22A
		AC110V ~ 220V	MAX. 0.12A
KIND OF SOUND	VOLUME	BUZZER MONO TONE	MAX. 115dB at 1m
PROTECTION GRADE		WATER & DUST PROOF - IP66	
CABLE ENTRY		φ21 CABLE ENTRY	
COLOR OF HOUSING		MAKER STANDARD	
ACTION		LED LAMP STROBE LIGHT	



FITTING HOLES

FOR LINEAR DIMENSIONS	ISO2768-1 : CLASS OF TOLERANCE					SURFACE FINISH
	f	m	Ⓞ	v		
0.5~3	±0.05	±0.1	±0.2	-		
3~6			±0.3	±0.5		
6~30	±0.1	±0.2	±0.5	±1		
30~120	±0.15	±0.3	±0.8	±1.5		
120~400	±0.2	±0.5	±1.2	±2.5		
400~1000	±0.3	±0.8	±2	±4		
FOR ANGULAR DIMENSIONS	0~10	±1°		±1°30'	±3°	
	10~50	±0°30'		±1°	±2°	
	50~120	±0°20'		±0°30'	±1°	
	120~400	±0°10'		±0°13'	±0°30'	

Nr.	DWG. NO.	TITLE/ NAME	MAT'L	QTY	REFERENCE
DSND BY	CHKD BY	CHKD BY	APRV BY	VIEW	DATE
J.Y.KIM	J.Y.KIM	J.W.KIM	J.W.KIM	3	2023.04.11
TITLE			MODEL		
QWH35B OUTLINE DRAWING			QWH35B		
			DWG. NO.		
			QWH35B_OUT		
SCALE	SIZE	REV	SHEET		
N/S	A4	00	1/1		