

Wall Mount Electronic Sounder with Pre-Recorded Special Warning Sound

QWH Series

Wall mount Electronic Sounder that offers 31 pre-recorded warning sounds and 31 user selected sound messages



PRODUCT SPECIFICATION

QWH35(SD) | QWH50(SD)
QWH35T(SD) | QWH50T(SD)
QWH35B | QWH35BT

Materials Horn-PC+ABS, Housing-PC+ABS

Ambient operating temperature

-30°C to +50°C(Standard type/buzzer type)

-50°C to +50°C(Low temperature type only DC)

-20°C to +50°C(SD Card type)

Cable entry M20

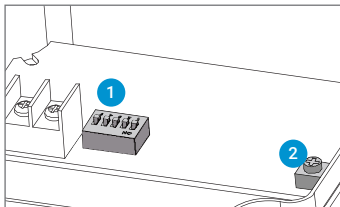
Protection rating IP66

Compliant with RoHS directive

- Bit input offers 5 channels with 6 sound outputs
- Binary input offers 31 sound outputs and SD Card (MP3) combination
- High volume type (buzzer type)

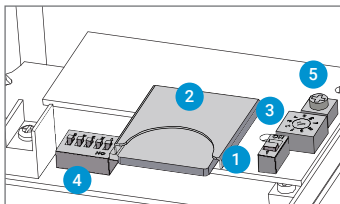
- Signal fit for the specific environment and condition
- Options to select between 31 special warning sounds included in the pre-recorded sound type and SD Card(MP3) type
- Volume adjustment and sound selection switches located inside the unit. SD Card in the unit offers convenient operation.
- SD Card type allows the user to input the proper voice messages for specific operating conditions.
- Built-in special alarm type standard model and MP3(SDcard)
- Supports Binary Input Mode and Bit Input Mode for SD card
- * Bit Input Mode can select and play 5 sounds from No. 1 to No. 5 on MP3 files of SDcard
- Tightly sealed structure that blocks water and dust with IP66 protection rating suitable for outdoor installation
- QWH35T, QWH35TSD, QWH35BT, QWH50T, QWH50TSD allow for easy wiring with separate terminal box (Built-in terminal block for wiring inside product)
- High-volume buzzer output(QWH35B,QWH35BT)
- Support for CAN communication type products (Customization : QWH35, QWH35T)

Pre-recorded sound type



- 1 Sound selection switch
- 2 Volume

SD Card (MP3) type



- 1 Sound setting switch
- 2 MP3 playable SD Card slot
- 3 Play mode setting switch
- 4 Sound selection switch
- 5 Volume

Sound Selection and Volume Adjustment Instructions

QWH Series has control switches inside the unit for sound selection and volume adjustment. You can play customized sound message(MP3) with SD Card.

QWH Series Product Category

QWH35(T)	Standard pre-recorded sound type
QWH35(T)SD	MP3(SD Card) type
QWH50(T)	Standard pre-recorded sound type, high volume output
QWH50(T)SD	MP3(SD Card) type, high volume output
QWH35B(T)	High volume type

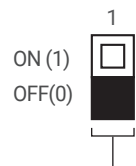
The input method of built-in sound type

	1	2	3	4	5
ON	<input type="checkbox"/>	<input type="checkbox"/>	<input type="checkbox"/>	<input type="checkbox"/>	<input type="checkbox"/>
OFF	<input type="checkbox"/>	<input type="checkbox"/>	<input type="checkbox"/>	<input type="checkbox"/>	<input type="checkbox"/>
No.	1	2	3	4	5
0	0	0	0	0	0
1	0	0	0	0	1
2	0	0	0	1	0
:	:	:	:	:	:
31	1	1	1	1	1

Select from 31 pre-recorded output sound options by using a combination of the 5 channel input switches. Selecting one sound by combining 5 switches is binary input method The binary input method allows you to express each of the 31 alarm sound signals with a "0" or "1" by switching the 5 channels on and off as shown in the table.

Sound selection instruction for SD Card type

- You can select between pre-recorded sound mode and SD Card sound (MP3) mode with the SOUND selection switch.



- 31 built-in alarm sounds and special sound
- Supports SD Cards for external sound (MP3)
- Binary Input: 31Ch
- Bit Input: 5Ch(SD Card only)
- Please refer to [Sound pattern and combination for special alarm product] on this catalogue for detailed settings.

Selection between pre-recorded sound mode and SD Card sound mode

0: pre-recorded sound mode

1: SD Card sound mode



Wall Mounted Type Electronic Sounder with High Volume Buzzer

QWH Series



QWH35B
(Max.115dB)

QWH35B Wall Mounted Type Electronic Sounder with High Volume Buzzer, Max.115dB

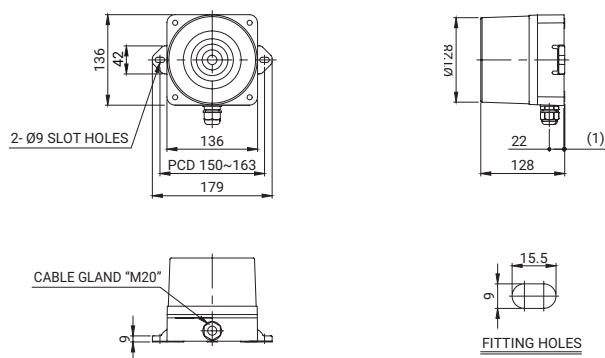
Model number	Voltage	Current	Sound pattern and volume	Certificates	Weight
QWH35B	DC12V	385mA	·Buzzer volume : Max. 115dB	 	0.70Kg
	DC24V	365mA			0.70Kg
	AC110V-220V	Max.145mA			0.81Kg

※ AC type model has a free-voltage range of 100V-240V.
 ※ UL Listed: DC12V, DC24V

Technical Diagram

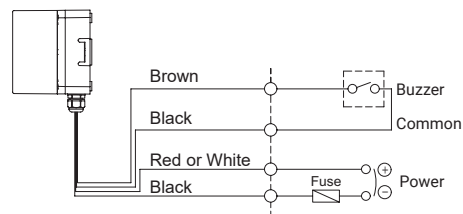
Units: mm

·QWH35B



Wiring Instructions

·QWH35B



· DC type : Black output line is negative(-)

Wiring Instructions

QWH35B	-	110/220
[Model number]		[Voltage]
QWH35B		12-DC12V 24-DC24V 110/220-AC110V-220V



QWH35BT Wall Mounted Type Electronic Sounder with High Volume Buzzer, Max.115dB

Model number	Voltage	Current	Sound pattern and volume	Certificates	Weight
QWH35BT	DC12V	385mA	·Buzzer volume : Max. 115dB		0.72Kg
	DC24V	365mA			0.72Kg
	AC110V-220V	Max.145mA			0.81Kg

※ AC type model has a free-voltage range of 100V-240V.
 ※ UL Listed: DC12V, DC24V

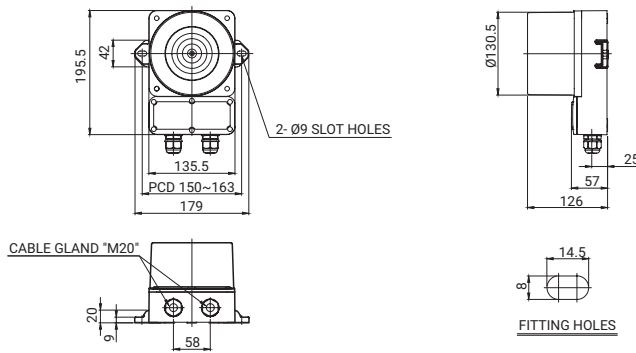


QWH35BT
(Max.115dB)

Technical Diagram

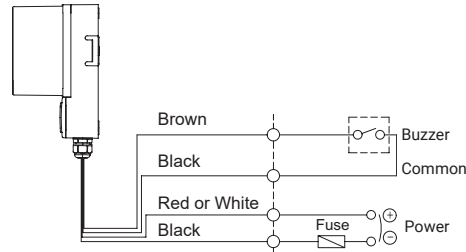
Units: mm

·QWH35BT



Wiring Instructions

·QWH35BT



· DC type : Black output line is negative(-)

Wiring Instructions

QWH35BT	-	110/220
[Model number]		[Voltage]
QWH35BT		12-DC12V 24-DC24V 110/220-AC110V-220V