



**EBL**

### PRODUCT SPECIFICATION

EBL

**Materials**  
Housing-Al, Lens-Tempered glass, Bracket-Al

**Ambient operating temperature** -25°C to +55°C

**Protection rating** IP67

- Waterproof, dustproof, oil-resistant LED work light of performance line
- Excellent oil resistance in machine tools where high-temperature cutting oil is used
- Low power consumption and long life by using high-efficiency LED
- Among body lengths of 300/500/600mm, select a suitable specification according to the lighting range and installation space
- 1.5m cable withdrawal type is standard, M12 connector type is available upon request

**EBL LED Work Lights**

Optics Specifications			
Model number	EBL300	EBL500	EBL600
Lens color		Transparent	
Light color		Cooldaylight	
Color temperature		6,000-6,500K	
Luminous flux	DC	-	1,500lm
	AC	1,000lm	-
Illumination (at 1m)	DC	-	700Lux
	AC	300Lux	-

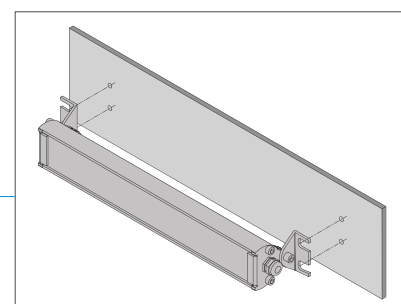
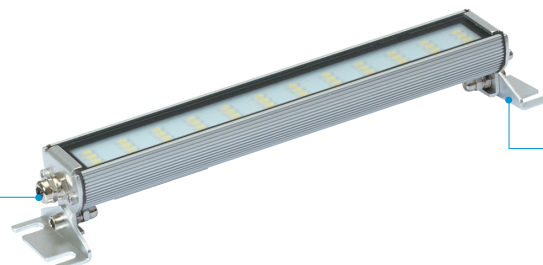
  

Specifications			
Model number	EBL300	EBL500	EBL600
Voltage	AC220V	DC24V	DC24V
Range for operation voltage	AC200-240V	DC24V	DC24V
Power consumption	DC24V	-	15W
	AC220V	10W	-
Insulation resistance	Min. 100MΩ(500V DC mega ohm meter)		
Withstanding voltage	DC: 500VAC, 60Hz, 1 minute/AC: 1,500VAC, 60Hz, 1 minute		
Operating temperature	-25°C to +55°C		
Protection rating	IP67		
Materials	Housing-Al, Lens-Tempered glass, Bracket-Al		
Certification	<b>CE</b>		
Weight(Approx.)	0.50kg	0.70kg	0.80kg

※ CE compliant : DC24V

**Structural Features**

M12 connector



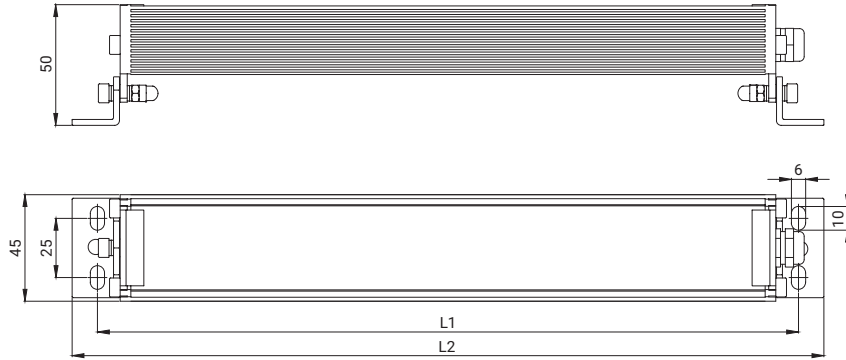
Mount bracket



## Technical Diagram

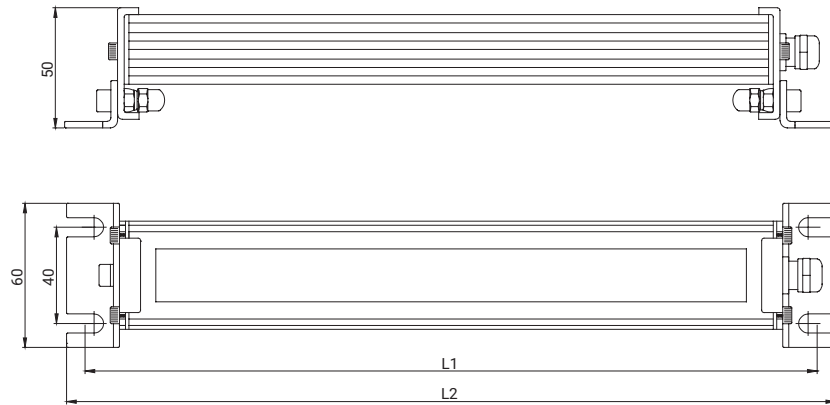
Units: mm

### • EBL(B Bracket)



Model number	L1	L2
EBL300	294	314
EBL500	508	528
EBL600	592	612

### • EBL(C Bracket)



Model number	L1	L2
EBL300	304	320
EBL500	515	531
EBL600	602	618

## Ordering Specification

<b>EBL</b>	-	<b>300</b>	-	<b>24</b>	-	<b>C</b>
[Model number]		[Product length]		[Voltage]		[Bracket]
EBL		300-10W 500-15W 600-18W		24-DC24V 220-AC220V		B-B Bracket C-C Bracket