

Industrial LED Beacon

ET50MCL



PRODUCT SPECIFICATION

ET50MCL

Materials Housing-ABS, Lens-PC

Ambient operating temperature -25°C to +55°C

Volume Max. 85dB at 1m

Protection rating IP20

- Performance Line that can transmit 3-color signals with one layer
- It is a compact pole-mounted product that adopts high-brightness LED as a light source and can be used in various places
- The translucent lens emits soft signal light and reduces the blind area for excellent visibility
- Equipped with a foldable bracket to respond to various external environments
- Built-in buzzer type available



ET50MCL

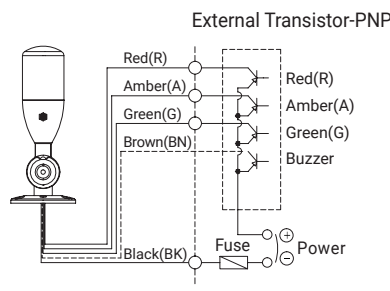
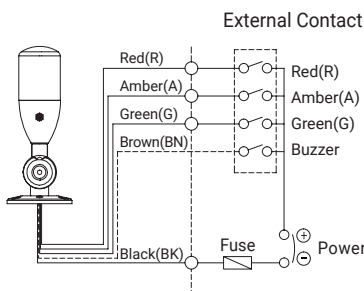
ET50MCL Industrial LED Beacon

Model number	Voltage	Current	Certificates	Weight	Color
ET50MCL Steady	DC24V	53mA	CE	0.14kg	● R-Red
ET50MCL-BZ Steady w/built-in buzzer					● A-Amber ● G-Green

Wiring Instructions

- ET50MCL series can be wired by using both external contact and transistor.
- Wiring to transistor, use the PNP transistor. Please wire properly based on wiring instructions.

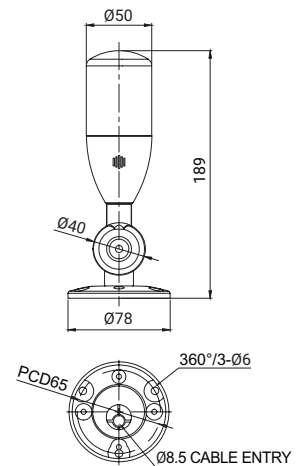
- ET50MCL
- ET50MCL-BZ



Technical Diagram

Units: mm

- ET50MCL
- ET50MCL-BZ



Ordering Specification

ET50MCL	-	24	-	RAG
[Model number] ET50MCL ET50MCL-BZ		[Voltage] 24-DC24V		[Color] ● R-Red ● A-Amber ● G-Green

Customization

- NPN type