

QNES-CR Series

Explosion proof LED signal Beacon & electronic sounder with convenient selection of steady/flashing, strobe, and simulated revolving light functions



QNES-CR



QNES-CR-SUS

PRODUCT SPECIFICATION

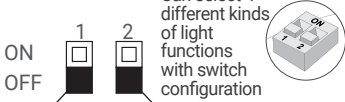
QNES-CR | QNES-CR-ST5

- Materials** Lens-Tempered glass, Filter-PC, Bracket-STS316L, Protection cage-STS316, Housing-Al(QNES-CR), STS316L(QNES-CR-SUS)
- Ambient operating temperature**
 -52°C ≤ Tamb ≤ +60°C(T5)
 -52°C ≤ Tamb ≤ +45°C(T6)
- Explosion protection rating**
 IECEx - Ex db IIC T6/T5 Gb, Ex tb IIIC T85°C/T100°C Db
 ATEX - Ⓢ II 2G Ex db IIC T6/T5 Gb,
 Ⓢ II 2D Ex tb IIIC T85°C/T100°C Db
- Certificates** IECEx, ATEX
- Housing standard color** Red, MUNSELL No. 7.5BG 7/2
- Cable entry** 1/2" NPT
- Flashing rate(LF type)** 60-80 flashes/min.
- Strobe rate(LS type)** 70-80 flashes/min.
- Simulated revolving rate(LR type)** 120-140RPM

- Explosion proof, multifunctional, and compact LED signal light designed for use in explosive gas environments with Ex d II C rating
- ATEX/IECEx exproof Beacon sounder combination unit that can be used in an environment of extremely low temperature as low as -52°C(-61.6°F)
- Cold resistant parts realize stable operation of beacon at very low temperature
- Model with complex functions of LED on, blinking, strobe, and rotating flashing
- Features excellent shock and vibration resistance, maintenance significantly reduced with long-lasting LED light source
- A variety of sound selections between warning sounds, alarm sounds, melodies and voice messages to fit your sophisticated application needs
- Features superior durability with aluminum housing(QNES-CR)
- STS housing provides superior durability and corrosion resistance(QNES-SUS)
- Fully enclosed structure with protection rating of IP66

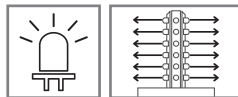
Instruction for Light Function Switch

ON=1/OFF=0

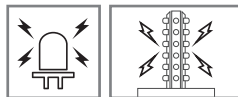


No.	1	2	Operation
0	0	0	LED Steady
1	0	1	LED Flashing
2	1	0	LED Strobe
3	1	1	LED Simulated revolving flashing

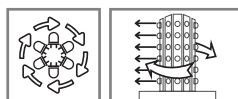
Operation



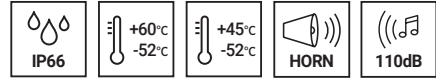
- **LED Steady/Flashing**
Repeat operation of LED light on/off



- **LED Strobe**
Short LED steady/flashing. Creates a xenon flashing effect by providing maximum electric current



- **LED Simulated Revolving Flashing**
LED flashes steadily around the cylindrical LED filaments which makes a simulated revolving effect



QNES-CR Explosion Proof LED Beacon & Sounder Combination with Cold Resistance

Model number	Voltage	Current	Sound pattern and volume	Certificates	Weight	Color
QNES-CR	DC12V-24V	Max.1.6A	·WS-5 Warning sounds: Max.110dB ·WP-5 Special warning sounds: Max.110dB ·WM-5 Melodies: Max.105dB ·WA-5 Alarms: Max.105dB ·WV-5 Customizable voices: 99-106dB		3.15kg	● R-Red ● A-Amber ● G-Green ● B-Blue
	AC110V-230V	Max.300mA				

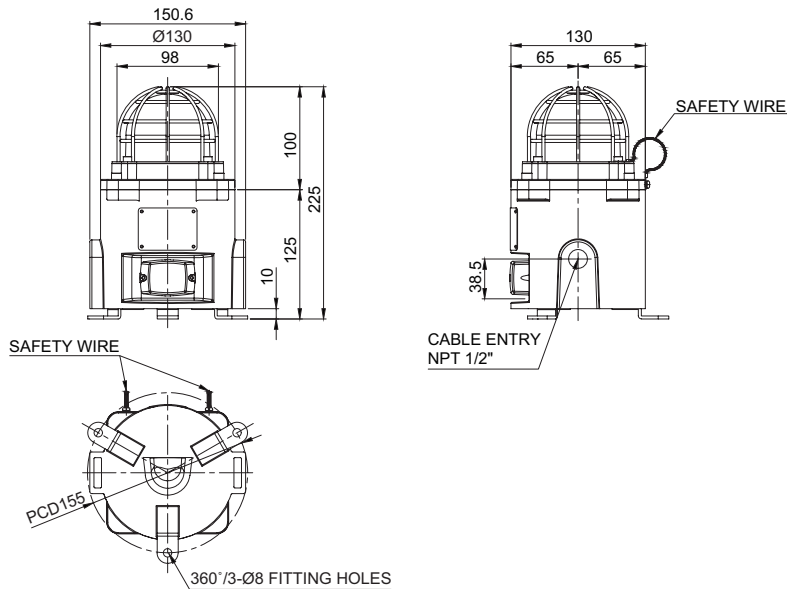
QNES-CR-SUS Explosion Proof LED Beacon & Sounder Combination with Cold Resistance

Model number	Voltage	Current	Sound pattern and volume	Certificates	Weight	Color
QNES-CR-SUS	DC12V-24V	Max.1.6A	·WS-5 Warning sounds: Max.110dB ·WP-5 Special warning sounds: Max.110dB ·WM-5 Melodies: Max.105dB ·WA-5 Alarms: Max.105dB ·WV-5 Customizable voices: 99-106dB		7.60kg	● R-Red ● A-Amber ● G-Green ● B-Blue
	AC110V-230V	Max.300mA				

Technical Diagram

Units: mm

·QNES-CR / QNES-CR-SUS



Customization

- Explosion proof cable gland attached type available (Standard type does not come with explosion proof cable gland)
- 2 ways cable entries
- M20x1.5, 3/4" NPT cable entry

Ordering Specification

QNES-CR	-	WA	-	110/230	-	R	-	SUS	-	IECEX
[Model number]		[Sound]		[Voltage]		[Color]		[Housing materials]		[Certificates]
QNES-CR		WS-Warning sounds WP-Special warning sounds WM-Melodies WA-Alarms WV-Customizable voices		12/24-DC12V-24V 110/230-AC110V-230V		● R-Red ● A-Amber ● G-Green ● B-Blue		None - Al SUS- STS316L		IECEX ATEX