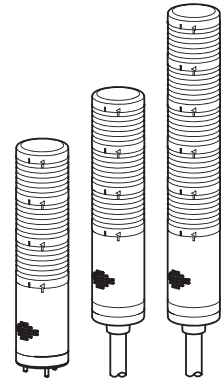


LED Signal Tower Lights with custom voice

QTG60(M)L-WV



Thank you for purchasing Qlight's products. Please read this user manual carefully prior to installation and operation to ensure safe and correct use.

⚠️ Precautions for Safety

Failure to follow the instructions below may cause a loss of life or serious physical injury.

1. During wiring or maintenance, please completely turn off the power of the product. (Failure to follow this may lead to an electric shock.)
2. Do not install the product in locations that subjects it to excessive dust or water other than the conditions designated by the IP protection ratings indicated for each product. (Failure to follow these instructions may cause a fire to the product, electric shock, physical injury, malfunction or damage to the product.)
3. Do not alter or repair this product. If maintenance or repair service is required, please contact your local Qlight contact point. (Failure to follow these instructions may lead to fire, electric shock, or product damage.)
4. Please apply the correct voltage to the product. (Failure to follow these instructions may lead to fire, electric shock, or product damage.)
5. When the product is applied to a condition that may impact lives or property, please make sure to have a double safety device. (Failure to follow this may cause damage to property, fire, electric shock and loss of life.)

⚠️ Precautions for Correct Use

Failure to follow the proper instructions may cause damage to property, the product, or malfunction of the product that would void the warranty.

1. Please remove any objects that can interrupt ventilation around the product.
2. Please turn off the power of the product immediately if it fails to operate properly.
3. Carefully wire the product according to each product's specification.
4. Please be careful in preventing chemicals such as thinner, benzene, etc. in contact with the surface of the product.
5. Do not apply excessive force/impact to the product.
6. Failure to follow any of the instructions above may cause malfunction or damage to the product, fire, and electric shock.

Ordering Specifications

QTG60L-WV	-	3	-	24	-	RAG	-	LW18
[Model number]		[Layer count]		[Voltage]		[Color]		[Mounting option]
<ul style="list-style-type: none"> • QTG60L-WV • QTG60ML-WV 		<ul style="list-style-type: none"> • 1-1 Layer • 2-2 Layers • 3-3 Layers • 4-4 Layers • 5-5 Layers 		<ul style="list-style-type: none"> • 24-DC24V 		<ul style="list-style-type: none"> R-Red A-Amber G-Green B-Blue W-White 		<ul style="list-style-type: none"> • (Blank) - Standard type • Mounting type - LB18 - LW18 - QZ18 - SZ18 - QL18 - SL18



Please scan the QR code for more detailed product information.

www.qlight.com

Product Specifications

• QTG60L-WV

Model number	Layer count	Voltage	Sound Pattern and Volume	Certificate	Weight	Color
QTG60L-WV Steady	1	DC24V	31 Customizable voices: 80dB-85dB	CE	0.53kg	R-Red
	2				0.58kg	R-Red G-Green
	3				0.63kg	R-Red A-Amber G-Green
	4				0.68kg	R-Red A-Amber G-Green B-Blue
	5				0.73kg	R-Red A-Amber G-Green B-Blue W-White

■ Light source/signal sound current (based on 1 layer)

Voltage condition	DC24V
Light source current(1 layer)	70mA
Signal sound current	160mA

• QTG60ML-WV

Model number	Layer count	Voltage	Sound Pattern and Volume	Certificate	Weight	Color
QTG60ML-WV Steady	1	DC24V	31 Customizable voices: 80dB-85dB	CE	0.38kg	R-Red
	2				0.43kg	R-Red G-Green
	3				0.48kg	R-Red A-Amber G-Green
	4				0.53kg	R-Red A-Amber G-Green B-Blue
	5				0.58kg	R-Red A-Amber G-Green B-Blue W-White

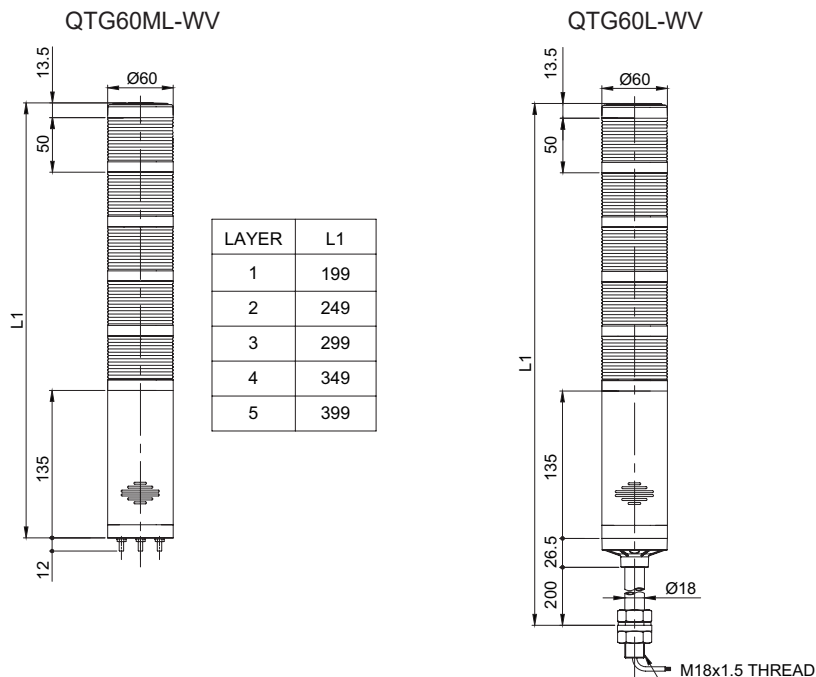
■ Light source/signal sound current (based on 1 layer)

Voltage condition	DC24V
Light source current(1 layer)	70mA
Signal sound current	160mA

※ In case of customized WV 31 tone type, there may be difference of volume depending on user's audio file type.

Dimensions

(Units : mm)



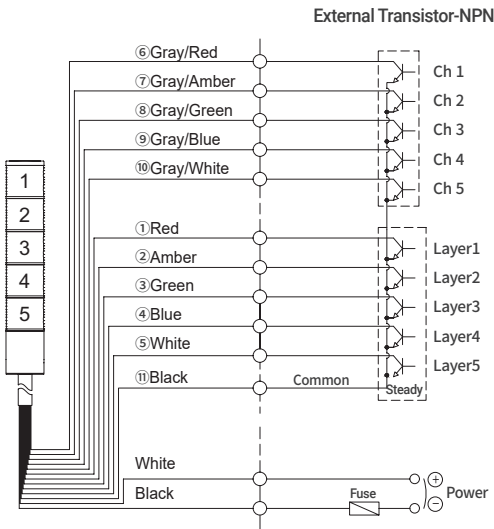
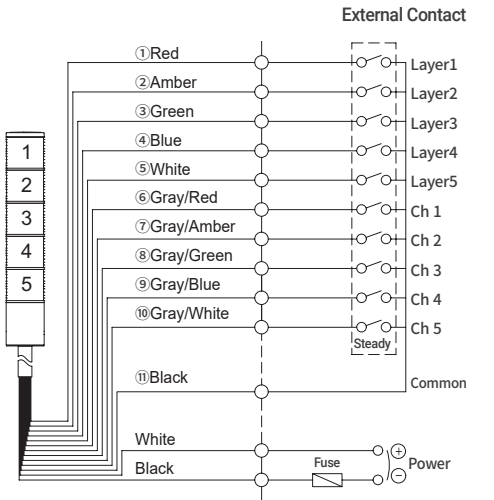
Wiring Instructions

■ Wiring using external contact

- In case of wiring with external contacts, refer to the wiring diagrams below according to your product's type and voltage setting.

■ Light Source and Sound Selection Method

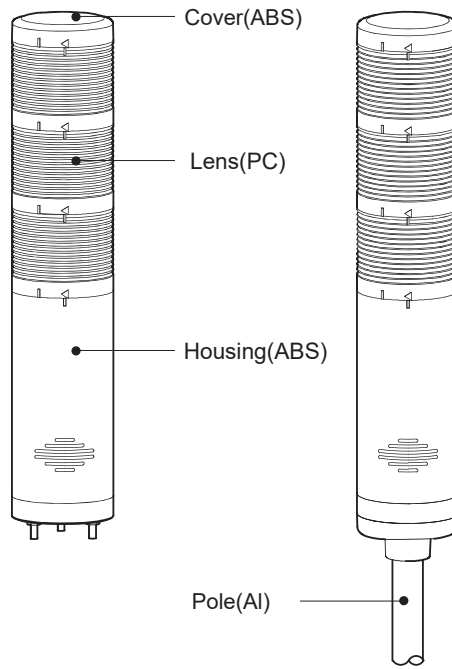
- Connect the ⑪ common line with one of ①–⑤ light source selection output lines.
- Connect the ⑪ common line with one of ⑥–⑩ sound selection output lines.



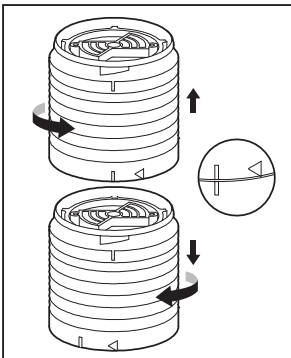
Binary Input Method Sound Configuration

No.	External Contact					Sound
	Ch1	Ch2	Ch3	Ch4	Ch5	
0	0	0	0	0	0	No Output Sound
1	1	0	0	0	0	Sound Selection Tone No.1
2	0	1	0	0	0	Sound Selection Tone No.2
3	1	1	0	0	0	Sound Selection Tone No.3
4	0	0	1	0	0	Sound Selection Tone No.4
5	1	0	1	0	0	Sound Selection Tone No.5
6	0	1	1	0	0	Sound Selection Tone No.6
7	1	1	1	0	0	Sound Selection Tone No.7
8	0	0	0	1	0	Sound Selection Tone No.8
9	1	0	0	1	0	Sound Selection Tone No.9
10	0	1	0	1	0	Sound Selection Tone No.10
11	1	1	0	1	0	Sound Selection Tone No.11
12	0	0	1	1	0	Sound Selection Tone No.12
13	1	0	1	1	0	Sound Selection Tone No.13
14	0	1	1	1	0	Sound Selection Tone No.14
15	1	1	1	1	0	Sound Selection Tone No.15
16	0	0	0	0	1	Sound Selection Tone No.16
17	1	0	0	0	1	Sound Selection Tone No.17
18	0	1	0	0	1	Sound Selection Tone No.18
19	1	1	0	0	1	Sound Selection Tone No.19
20	0	0	1	0	1	Sound Selection Tone No.20
21	1	0	1	0	1	Sound Selection Tone No.21
22	0	1	1	0	1	Sound Selection Tone No.22
23	1	1	1	0	1	Sound Selection Tone No.23
24	0	0	0	1	1	Sound Selection Tone No.24
25	1	0	0	1	1	Sound Selection Tone No.25
26	0	1	0	1	1	Sound Selection Tone No.26
27	1	1	0	1	1	Sound Selection Tone No.27
28	0	0	1	1	1	Sound Selection Tone No.28
29	1	0	1	1	1	Sound Selection Tone No.29
30	0	1	1	1	1	Sound Selection Tone No.30
31	1	1	1	1	1	Sound Selection Tone No.31

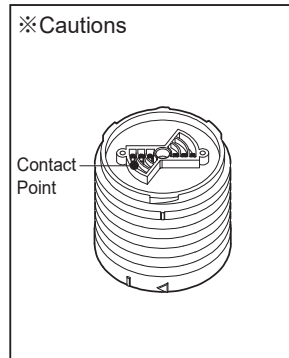
Parts Definition



How to replace the module

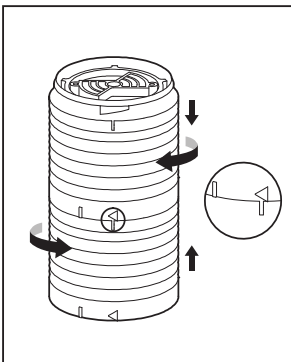


- Disassembling the module
- ① Twist the upper module kit in a counterclockwise direction so the "□" mark from both kits align.
- ② Disassemble by removing the upper module kit from the lower one.



※Cautions

Lens modules are connected through cone-shaped contact point. In case the contact point is damaged, it may cause a contact failure.



- Assembling the module
- ① Put the two module together by aligning the upper module "□" mark and the lower module "□" mark together.
- ② Lock the two kits by twisting the upper module kit in a clockwise direction so the upper module "◁" mark aligns with the lower module "□" mark.

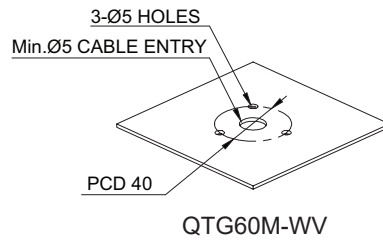
Installation Environment and Protection Rating

- This product is designed for indoor use with protection rating of IP23.
- If the product is installed in locations that subject it to excessive dust or water other than the designated IP protection rating indicated, it may cause malfunction or damage to the product.
- For further information, please visit our website (www.qlight.com).

Mounting Hole Specifications

■ QTG60M-WV - Direct Mounting Type Model

① Machine holes on the mounting surface referring to the diagram below.



② Remove the flange nuts from bolts and place the product through the mounting surface holes.

③ Fasten the flange nuts on the opposite side of the mounting surface until the product is tightened securely.

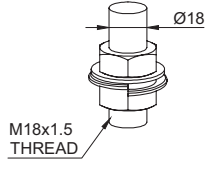
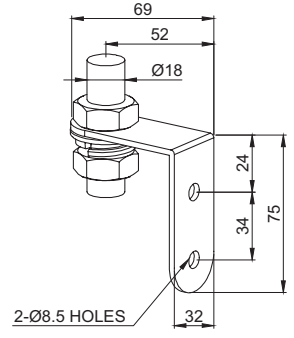
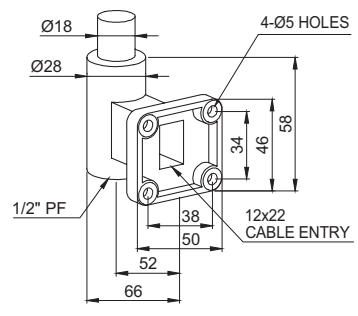
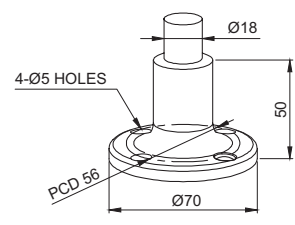
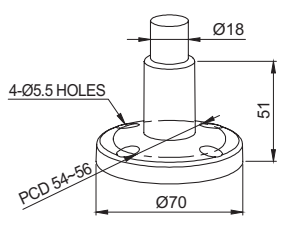
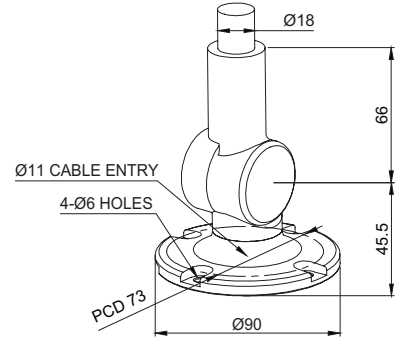
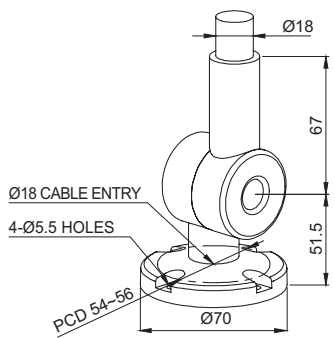
Mounting Accessories (Sold Separately)

• Please refer to the dimensions below for installation of mounting brackets

■ QTG60M-WV - Direct Mounting Type Model

		Dimensions	
QTG60ML-WV QTG60L-WV	<p>TWS45</p>	<p>TWA45</p>	

■ QTG60L-Pole Mounting Type Model

Dimensions	
<p>QTG60ML-WV QTG60L-WV</p>  <p>M18x1.5 THREAD</p> <p style="text-align: center;">Ø18</p> <p style="text-align: center;">18mm SCREW & NUT</p>	 <p style="text-align: center;">LB18</p>
 <p style="text-align: center;">LW18</p>	 <p style="text-align: center;">SZ18</p>
 <p style="text-align: center;">QZ18</p>	 <p style="text-align: center;">SL18</p>
 <p style="text-align: center;">QL18</p>	

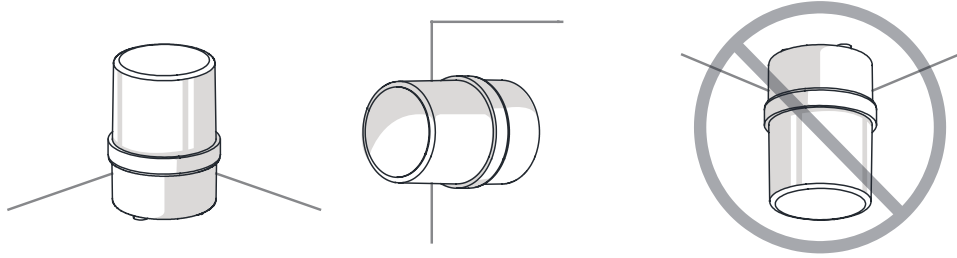
Product installation direction

- Install the product in accordance with the manual. Otherwise rainwater or moisture may penetrate into the product.

· BEACON/SIGNALING LIGHT

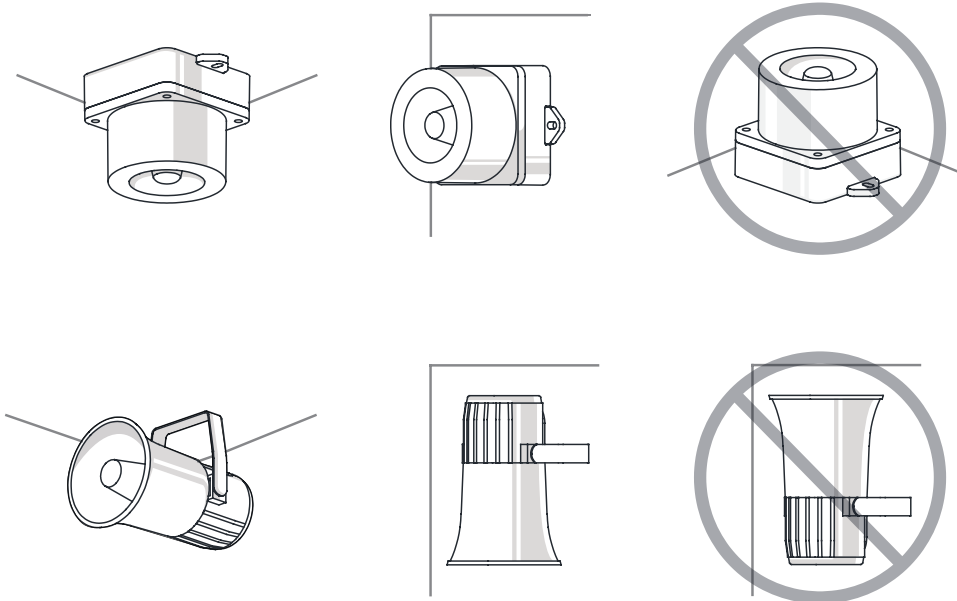
※ For products with a protection rating of less than IPX4, please install it vertically.

Power cord inlet part shall not be facing the sky.



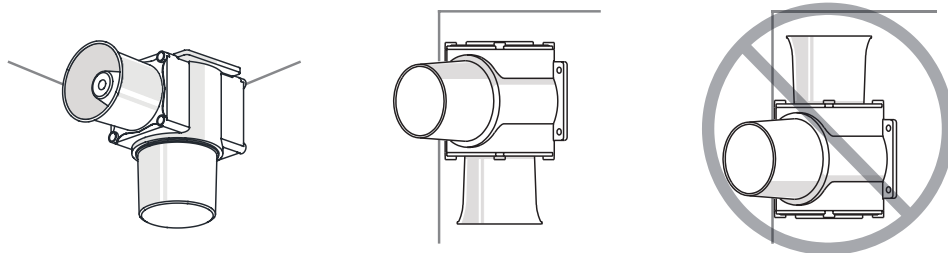
· ELECTRONIC SOUNDER/SIGNAL HORN

Sounder part shall not be facing the sky.



· HEAVY-DUTY & EXPLOSION PROOF SIGNALINGS

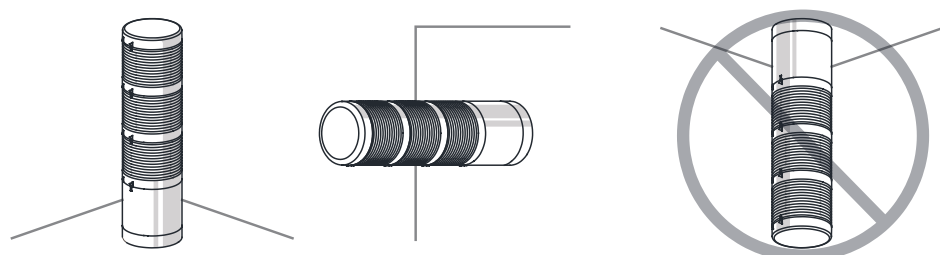
Sounder part shall not be facing the sky.



· SIGNAL TOWER LIGHTS

※ For products with a protection rating of less than IPX4, please install it vertically.

Power cord inlet part shall not be facing the sky.





For your safety

Specification and dimensions listed in this catalogue subject to change without notice for product quality improvement.
The newest product information is available on our website.(www.qlight.com)
Please read the instruction manual attached to the product carefully before installation and use.

Korea Corporation Qlight Co., Ltd. www.qlight.com | trade@qlight.com

Head Office | Suite #1510, STX-V Tower, 128 Gasan Digital 1-ro, Geumcheon-gu, Seoul, 08507, South Korea

Tel: +82-2-2679-6152 Fax: +82-2-2679-6154

Factory(Gimhae Production Headquarters) | 185-25, Mukbang-ro, Sangdong-myeon, Gimhae-si, Gyeongsangnam-do, 50805, South Korea

Tel: +82-55-328-1111

Overseas Sales Department | Qlight Building, 704 Nakdong-daero, Sasang-gu, Busan 47044, South Korea Tel: +82-51-620-4100

Busan Business Center | Qlight Building, 704 Nakdong-daero, Sasang-gu, Busan 47044, South Korea Tel: +82-51-245-0017

China Corporation SHANGHAI Qlight Electronic Co., Ltd. www.qlight.com www.qlightcn.com | qlightcn@qlight.com

Sales Corporation (Shanghai) | Room 333 Building B, No.11, Lane 450, Zhenda Road, Baoshan District, Shanghai, China

Tel: +86-21-6651-7100 Fax: +86-21-6315-3929

Manufacturing Corporation (Qidong) | No.33, Haiyan Road, Qidong High-tech Industrial Development Zone, Qidong, Jiangsu Province, China

Tel: +86-513-8384-9999 Fax: +86-513-8384-9910

Qlightec

Innovation in Alarm & Signal

Product Operation Inquiry / Customer Support +82-51-620-4100

You can expect prompt service if you have exact information such as model name, symptom, telephone number and address.

※ ALL PRODUCT, PRODUCT SPECIFICATIONS AND DATA ARE SUBJECT TO CHANGE WITHOUT NOTICE TO IMPROVE RELIABILITY, FUNCTION OR DESIGN OR OTHERWISE.

Head office : Suite #1510, STX-V Tower, 128 Gasan digital 1-ro, Geumcheon-gu, Seoul, Korea (Postal Code : 08507)

Factory : 185-25, Mukbang-Ro, Sangdong-Myeon, Gimhae-Si, Gyeongsangnam-Do, Korea (Postal Code : 50805)

www.qlight.com

EN - QTG60ML-WV - 2604A