

# SED / SD / SMD Series

Wall mount Signal Beacon and Electronic Sounder combinations featuring superior durability, tight seal, and corrosion resistance, designed for vessels and heavy Industrial applications



## PRODUCT SPECIFICATION

SED | SD | SMD

**Materials** Lens-PC, Housing-Al, Protection cage-STS316L, Reflector-PC, Reflector-Heat resistant ABS

**Cable entry** 1/2" PF

**Protection rating** IP66

**Housing standard color** MUNSELL No. 7.5BG 7/2

- Wall mount Signal Beacon and Electronic Sounder combinations for vessels and heavy industrial applications
- Aluminum housing and polycarbonate lens material provides excellent impact and shock resistance
- Excellent hermetic structure that block water and dust
- Can select a variety of light source (bulb, LED, xenon lamp) and sound pattern combination
- Attached terminal box enables easy wiring
- Can adjust sound volume and select sound pattern with the switches built inside the products

- **SED Series** Ø125mm signal beacon & electronic sounder with Max.114dB sound output
- **SD Series** Ø150mm signal beacon & electronic sounder with Max.114dB sound output
- **SMD Series** Ø150mm signal beacon & electronic sounder with Max.120dB sound output

### 1 Lens

Utilizes a strong and durable polycarbonate material with excellent shock and vibration resistance.



Light transmission type

LED revolving type(SEDLR)  
LED revolving type(SED)



Light diffusion type

LED steady/flashing type(SEDL)  
Xenon lamp strobe type(SEDs)

### 2 Protection cage

- The durable protection cage is made of corrosion resistant stainless steel that prevents damage to the lens from external contact
- Materials: STS316L

### 3 A variety of selectable warning sounds and sound messages

You can convey specific information with a variety of 20 warning sounds and voice messages.

Sound	Built-in sound	Ch	Sound tone
WS	5 Warning sounds	Ch1	Fire.A-ANG
		Ch2	Emergency WA-U(Yelp)
		Ch3	Ambulance PI-PO(Hi-low)
		Ch4	Machinery Fault
		Ch5	High Expansion
WP	5 Special warning sounds	Ch1	Fire.A-ANG
		Ch2	Abandon Alarm
		Ch3	Machinery Fault
		Ch4	High Expansion
		Ch5	7 Short Pl. / 1 Long
WM	5 Melodies	Ch1	Sweet Home
		Ch2	For Elise
		Ch3	Cuckoo's Waltz
		Ch4	Piano Sonata
		Ch5	Turkish March
WA	5 Alarms	Ch1	Beep Intermittent
		Ch2	Door Chime
		Ch3	Phone Ring
		Ch4	Pl.PI.PI Short
		Ch5	Tripping Beat
WV	5 Customizable voices	Ch1- Ch5	Customized sound tones

## A Variety of Selectable Light Source and Function Combinations

You can select from a variety of light sources for your work environment, condition, and purpose. Basic specifications are as follows.

- LED revolving type
- LED steady/flashing type
- Xenon lamp strobe type
- Bulb revolving type

### 4 Housing

- The special aluminum housing features superior durability
- The housing is corrosion resistant from a special anodized surface treatment process
- Materials: Al

### 5 Terminal Box

- Terminal box is located at the bottom of the product for easy wiring
- Materials: Al

## Customization

- LED strobe type
- LED revolving type

# SED / SD / SMD Series

## SED / SD / SMD Series Product Categories



### Standard type

- No protection cage is provided
- Recommended for the places where the lens is not damaged by external contact
- SED / SD / SMD Series



### Protection cage type

- Provided with protection cage
- Lens can be protected from the damage by external contact
- SEDP / SDP / SMDP Series

## SED / SD / SMD Series References

	SED Series	SD Series	SMD Series
Diameter/dB	Ø125mm, Max.114dB at 1m	Ø150mm, Max.114dB at 1m	Ø150mm, Max.120dB at 1m
Materials	Lens-PC, Housing-Al, Protection cage-ST316L, Reflector-PC, Reflector-Heat resistant ABS		
Protection rating	IP66		
Certificates	CCS, CE	CE	-
Cable entry	Standard : 1/2"PF (Customized cable entry available : 3/4"PF)		
Mounting	Wall mount		

	Standard type	Built-in protection cage	Standard type	Built-in protection cage	Standard type	Built-in protection cage
--	---------------	--------------------------	---------------	--------------------------	---------------	--------------------------

LED revolving

Bulb revolving



SEDLR  
SED

SEDLRP  
SEDP

SDLR  
SD

SDLRP  
SDP

SMDLR  
SMD

SMDLRP  
SMDP

LED steady/flashing

Xenon lamp strobe



SEDL  
SEDS

SEDLP  
SEDSP

SDL  
SDS

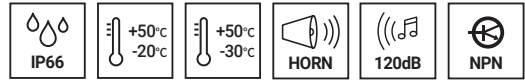
SDLP  
SDSP

SMDL  
SMDS

SMDLP  
SMDSP

# Signal Beacon and Electronic Sounder for Vessels and Heavy Industry Applications

## SMD Series



Ø150mm signal beacon and Max.120dB electronic sounder combination

### SMDLR / SMDLRP LED Revolving Signal Beacon and Electronic Sounder Combination

Model number	Voltage	Current	Sound pattern and volume	Certificates	Weight	Color
SMDLR	DC12V	2A	·WS-5 Warning sounds: Max.120dB	-	·SMDLR	● R-Red ● A-Amber ● G-Green ● B-Blue
	DC24V	1.32A	·WP-5 Special warning sounds : Max.120dB		DC-5.91kg AC-6.68kg	
SMDLRP	AC110V	380mA	·WM-5 Melodies: Max.115dB ·WA-5 Alarms: Max.118dB	-	·SMDLRP	● R-Red ● A-Amber ● G-Green ● B-Blue
	AC220V	200mA	·WV-5 Customizable voices: 109-117dB		DC-6.20kg AC-6.97kg	

- Revolving speed: 120-140RPM, Ø150mm
- Ambient operating temperature: -20°C to +50°C



SMDLR

### SMDL / SMDLP LED Steady/Flashing Signal Beacon and Electronic Sounder Combination

Model number	Voltage	Current	Sound pattern and volume	Certificates	Weight	Color
SMDL	DC12V	2.4A	·WS-5 Warning sounds: Max.120dB	-	·SMDL	● R-Red ● A-Amber ● G-Green ● B-Blue
	DC24V	1.26A	·WP-5 Special warning sounds : Max.120dB		DC-5.77kg AC-6.19kg	
SMDLP	AC110V	390mA	·WM-5 Melodies: Max.115dB ·WA-5 Alarms: Max.118dB	-	·SMDLP	● R-Red ● A-Amber ● G-Green ● B-Blue
	AC220V	200mA	·WV-5 Customizable voices: 109-117dB		DC-6.06kg AC-6.48kg	

- Flashing rate: 60-80 flashes/min(Built-in steady/flashing selection switch), Ø150mm
- Ambient operating temperature: -30°C to +50°C



SMDLP / SMDSP

### SMDS / SMDSP Xenon Strobe Signal Beacon and Electronic Sounder Combination

Model number	Voltage	Current	Xenon lamp		Sound pattern and volume	Certificates	Weight	Color
			Spec	Standard Parts no				
SMDS SMDSP	DC12V	2.82A	200V -550V	EUB0641 -1A(G) 48 U type	·WS-5 Warning sounds : Max.120dB	-	·SMDS DC-5.83kg AC-6.21kg ·SMDSP DC-6.12kg AC-6.50kg	● R-Red ● A-Amber ● G-Green ● B-Blue
	DC24V	1.4A			·WP-5 Special warning sounds: Max.120dB			
	AC110V	300mA			·WM-5 Melodies : Max.115dB			
	AC220V	200mA			·WA-5 Alarms : Max.118dB ·WV-5 Customizable voices: 109-117dB			

- Convenient lamp exchange by adopting connector type lamp installation
- Flashing rate: 60-80 flashes/min, Ø150mm
- Ambient operating temperature: -30°C to +50°C

### SMD / SMDP Bulb Revolving Signal Beacon and Electronic Sounder Combination

Model number	Voltage	Current	Bulb			Sound pattern and volume	Certificates	Weight	Color
			Spec	Standard	Parts no				
SMD SMDP	DC12V	3.6A	12V15W	G23 15S	17	·WS-5 Warning sounds : Max.120dB	-	·SMD DC-5.98kg AC-6.76kg ·SMDP DC-6.27kg AC-7.05kg	● R-Red ● A-Amber ● G-Green ● B-Blue
	DC24V	1.8A	24V15W	G23 15S	18	·WP-5 Special warning sounds: Max.120dB			
	AC110V	470mA	12V15W	G23 15S	17	·WM-5 Melodies : Max.115dB			
	AC220V	280mA	12V15W	G23 15S	17	·WA-5 Alarms : Max.118dB ·WV-5 Customizable voices: 109-117dB			

- Revolving speed: 120-140RPM, Ø150mm
- Ambient operating temperature: -20°C to +50°C

- ※ Max.built-in volume feature is based on WS, WP-Ch1 / WM-Ch5 / WA-Ch5
- ※ In case of customized WV 5 tone type, there may be difference of volume depending on user's audio file type.



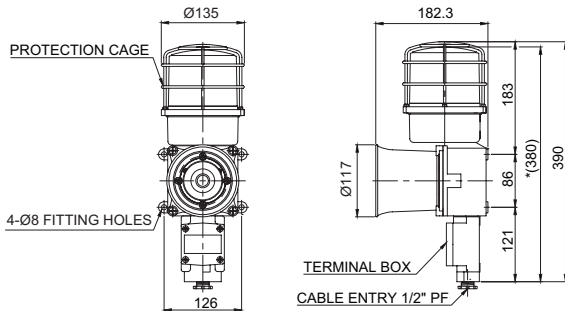
SMDP

# SED / SD / SMD Series

## Technical Diagram

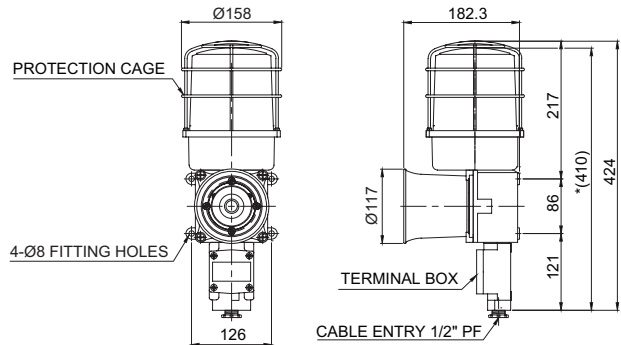
Units: mm

### ·SEDLRP / SEDLP / SEDSP / SEDP



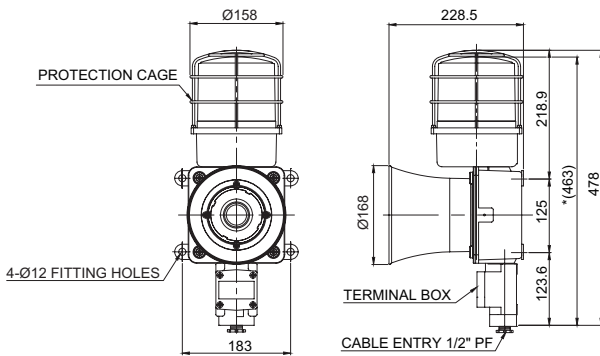
※ \*(380) represents SED Series size without protection cage.

### ·SDLRP / SDLP / SDSP / SDP



※ \*(410) represents SD Series size without protection cage.

### ·SMDLRP / SMDLP / SMDSP / SMDP



※ \*(463) represents SMD Series size without protection cage.

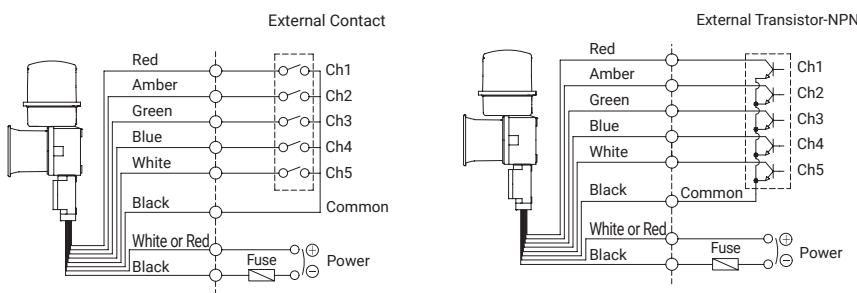
## Customization

- Cable gland type
- Customized cable entry(3/4"PF) available(Standard : 1/2"PF)
- Customized external sound line type available : SED/SD/SMD Series have built-in switch for sound tone selection
- Customized wiring in case of external contact or transistor wiring type as sound tone selector (Model number : -LC)
- Brass housing : Brass housing for SD/ SMD Series are optionally provided which has excellent anti-corrosive properties
- ※ Color will be MUNSELL No. 7.5BG 7/2 when released.

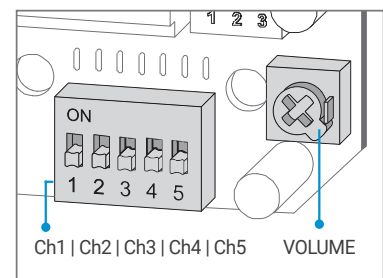
## Sound Selection Instructions and Wiring

### ·SED / SD / SMD Series-DC/AC

- Customization: External contact(LC)



- Standard Type: Select sound using the switch inside of the unit. When you turn on the dip switch for each channel, the designated sound will be played.



## Wiring Instructions

- SED, SEDLR, SD, SDLR, SMD, SMDLR - Black output line is negative(-).

## Ordering Specification

<b>SEDLR</b>	-	<b>WA</b>	-	<b>24</b>	-	<b>R</b>
[Model number]		[Sound]		[Voltage]		[Color]
SEDLR / SEDLRP / SEDL / SEDLP SEDS / SEDSP / SED / SEDP SDLR / SDLRP / SDL / SDLP SDS / SDSP / SD / SDP SMDLR / SMDLRP / SMDL / SMDLP SMDS / SMDSP / SMD / SMDP		WS-Warning sounds WP-Special warning sounds WM-Melodies WA-Alarms WV-Customizable voices		12-DC12V 24-DC24V 110-AC110V 220-AC220V		● R-Red ● A-Amber ● G-Green ● B-Blue