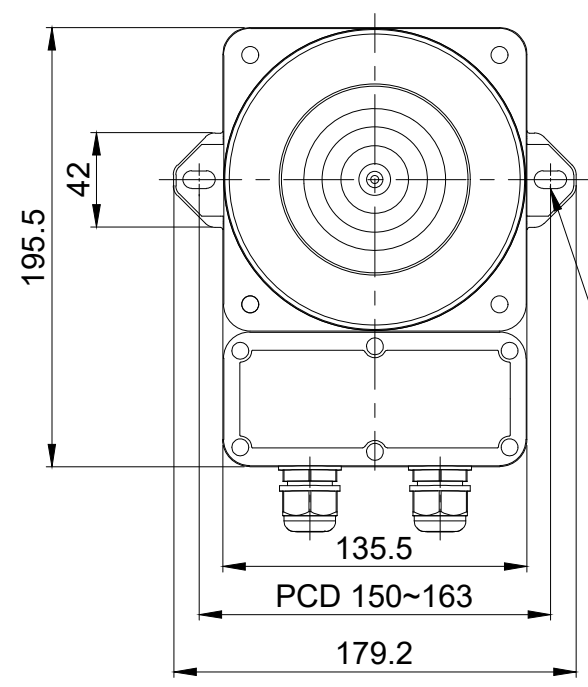


1 2 3 4 5 6

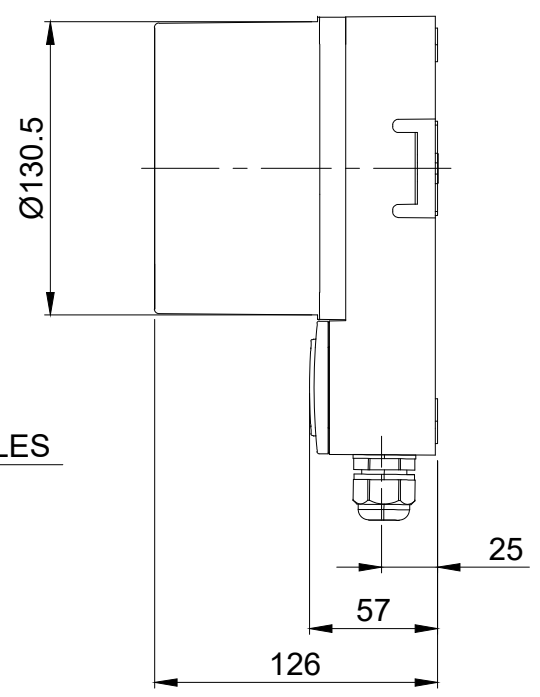
A

A

MARK	DATE	REVISION	REVISER	APP .BY
①				
②				
③				



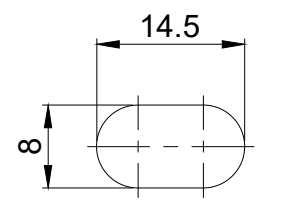
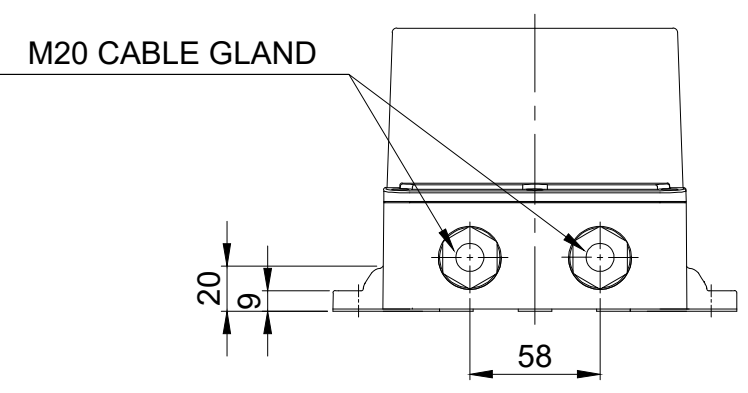
2-φ8 SLOT HOLES



MODEL NO		QWCD35-TI		
MATERIAL		HORN-PC HOUSING-PC+ABS -		
COLOR OF LENS		RED( ), AMBER( ), GREEN( ), BLUE( )		
USE VOLT.	CURRENT	DC12V ~ 24V AC110V ~ 220V	0.2W	MAX. 1.340A MAX. 0.370A
CHANNEL		BINARY INPUT		31CH
KIND OF SOUND	VOLUME	WARNING SOUNDS 31Ch		MAX. 115dB at 1m
PROTECTION GRADE		WATER & DUST PROOF - IP66		
CABLE ENTRY		M20 CABLE GLAND x 2		
COLOR OF HOUSING		MAKER STANDARD		
ACTION		LED LAMP STROBE LIGHT		

B

B



FITTING HOLES

C

C

D

D

ISO2768-1 : CLASS OF TOLERANCE					
FOR LINEAR DIMENSIONS		f	m	Ⓢ	v
	0.5~3	±0.05	±0.1	±0.2	-
3~6	±0.05	±0.1	±0.3	±0.5	
6~30	±0.1	±0.2	±0.5	±1	
30~120	±0.15	±0.3	±0.8	±1.5	
120~400	±0.2	±0.5	±1.2	±2.5	
400~1000	±0.3	±0.8	±2	±4	
FOR ANGULAR DIMENSIONS	0~10	±1°		±1°30'	±3°
	10~50	±0°30'		±1°	±2°
	50~120	±0°20'		±0°30'	±1°
	120~400	±0°10'		±0°13'	±0°30'

Nr.	DWG. NO.	TITLE/ NAME	MAT'L	QT'Y	REFERENCE
DSND BY	CHKD BY	CHKD BY	APRV BY	VIEW	DATE
C.S.GWAK	J.H.PARK		J.K.HAN	3	2021.10.08
TITLE			MODEL		
QWCD35-TI OUTLINE DRAWING			QWCD35-TI		
DWG. NO.			DWG. NO.		
Qlight			QWCD35-TI_OUT		
SCALE	SIZE	REV	SHEET		
1/1	A4	00	1/1		

1 2 3 4 5 6 A4(297X210)