



SJD

**PRODUCT SPECIFICATION**

SJD | SJD L

**Materials** Lens-AS, Body-ABS, Reflector-Heat resistant ABS

**Protection rating** IP23

**Standard color**

- 1st layered - ● Red
- 2nd layered - ● Red ● Green
- 3rd layered - ● Red ● Yellow ● Green

- Cube-shaped(95×95mm) stacked tower lights and audible alarm combinations
- Lamp can be selectable among bulb revolving, LED steady/flashing, xenon strobe depending on installation environment
- 5 Warning sounds, 5 Melodies, 5 Alarms, and 5 Customizable sounds available
- WV type: Input audio message needs to be provided to us by the customer prior to manufacturing
- Multiple stacked light segments conserves space

**SJD Bulb Revolving Cube Tower Light**

Model number	Layer	Voltage	Bulb			Sound pattern and volume	Certificates	Weight	Color
			Spec	Standard	Parts no				
SJD	1	DC12V	12V5W	T16x35 15S	5	·WS-5 warning sounds : Max.90dB ·WM-5 Melodies: Max.90dB ·WA-5 Alarms: Max.85dB ·WV-5 customizable sounds : 79-85dB	DC-1.41kg AC-1.79kg	● R-Red	
		DC24V	24V5W	T16x35 15S	6				
		AC110V	12V5W	T16x35 15S	5				
		AC220V	12V5W	T16x35 15S	5				
	2	DC12V	12V5W	T16x35 15S	5		DC-1.65kg AC-2.04kg	● R-Red ● G-Green	
		DC24V	24V5W	T16x35 15S	6				
		AC110V	12V5W	T16x35 15S	5				
		AC220V	12V5W	T16x35 15S	5				
	3	DC12V	12V5W	T16x35 15S	5		DC-1.90kg AC-2.29kg	● R-Red ● A-Amber ● G-Green	
		DC24V	24V5W	T16x35 15S	6				
		AC110V	12V5W	T16x35 15S	5				
		AC220V	12V5W	T16x35 15S	5				

- Employs a special Power transmission system that minimizes noise and wear
- Available in customized color arrangements
- Revolving speed: 120-140RPM
- Ambient operating temperature: -20°C to +50°C

※ Max.built-in volume feature is based on WS-Ch1 / WM-Ch4 / WA-Ch5.  
 ※ In case of customized WV 5 tone type, there may be difference of volume depending on user's audio file type.  
 ※ Please refer to [Sound tone and combination for standard product] on this catalogue for detailed sound tone specification.

**Light source/signal sound current(based on 1 layer)**

Voltage	DC12V	DC24V	AC110V	AC220V
Light source current(1 layer)	490mA	350mA	100mA	50mA
Signal sound current	210mA	130mA	75mA	50mA

# Stackable Cube Tower Lights with Built-in Alarm

## SJD Series



SJD

### SJD Stackable Cube Tower Lights

Model number	Layer	Voltage	Sound pattern and volume	Certificates	Weight	Color
SJD	1	DC12V-24V	·WS-5 Warning sounds : Max.90dB ·WM-5 Melodies : Max.90dB ·WA-5 Alarms: Max.85dB ·WV-5 Customizable sounds: 79-85dB	-	1.63kg	● R-Red
		AC110V				
	2	AC220V			1.80kg	● R-Red ● G-Green
		DC12V-24V				
	3	AC110V			2.04kg	● R-Red ● A-Amber ● G-Green
		AC220V				

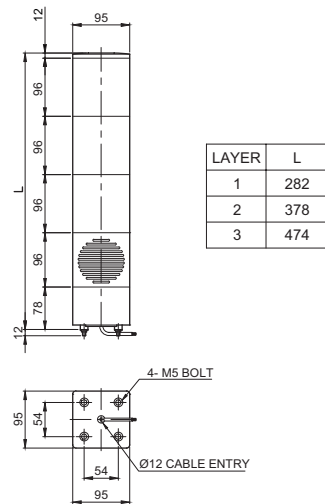
- Wide diffusion lens of 96mm height provides a Powerful LED signal light
- Built-in switches for steady/flashing mode
- Flashing rate: 60-80 flashes/min
- Ambient operating temperature: -30°C to +50°C

### Light source/signal sound current(based on 1 layer)

Voltage	DC12V-24V	AC110V	AC220V
Light source current(1 layer)	Max.185mA	80mA	40mA
Signal sound current	Max.210mA	75mA	50mA

### Technical Diagram ·SJD / SJD

Units: mm



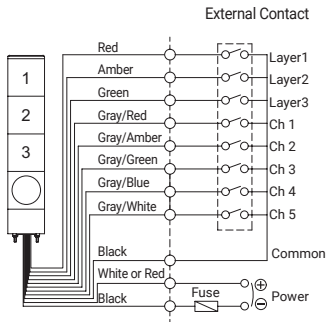
### Ordering Specification

SJD	-	WA	-	3	-	220	-	RAG
[Model number]		[Sounds]		[Layer]		[Voltage]		[Color]
SJD		WS-Warning		1-1Layer		12-DC12V		● R-Red
SJD		WM-Melody		2-2Layers		24-DC24V		● A-Amber
		WA-Alarm		3-3Layers		12/24-DC12V-24V		● G-Green
		WV-Customizable sound				(SJD only) 110-AC110V 220-AC220V		

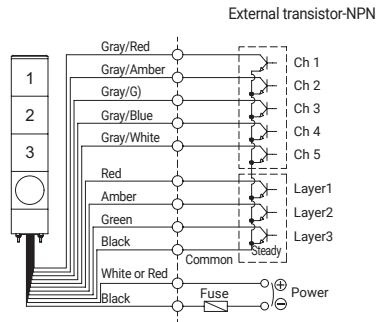


## Wiring Instructions

### ·SJD / SJDL -DC/AC



### ·SJDL-DC/AC



## Wiring Instructions

- External Power line - UL1015 AWG18(0.75sq) x 2C 400mm
- External signal line - UL1007 AWG22(0.3sq) 400mm
- SJD model: Black output line is negative(-).

## Customization

- Customized color arrangements available



Do not apply a voltage to each signal line. It may cause damage to the product

- SJDL type can be wiring with External Contact and transistor.
- Wiring to transistor, use the NPN transistor. Please wire properly based on technical diagram.
- Bulb type SJD and xenon lamp type can not be wiring with transistor.
- Please use External Contact.