

1 2 3 4 5 6

A

B

C

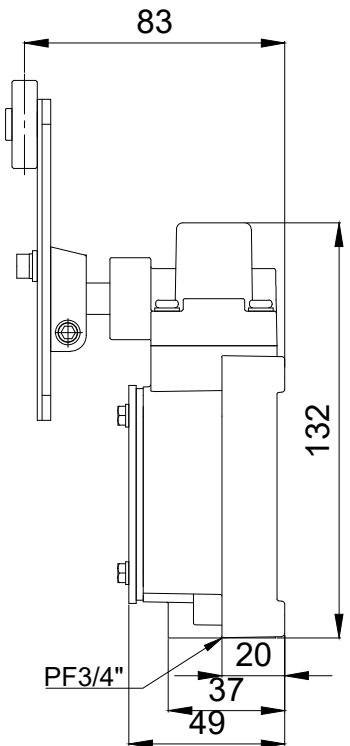
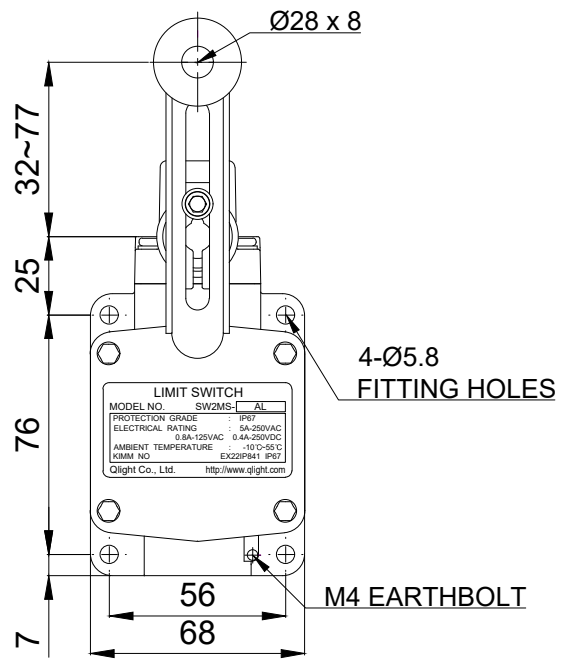
D

A

B

C

D



MARK	DATE	REVISION	REVISER	APP. BY
①				
②				
③				

MODEL NO	SW2MS-AL
MATERIAL	HEAD & BODY - SUS316L BOLT, NUT & ETC.-SUS304
CONTACT	2CKT-DB, 1A1B, 250VAC 6A
PROTECTION GRADE	WATER & DUST PROOF-IP67
CABLE ENTRY	PF3/4"
COLOR	MAKER STANDARD
INSULATION RESISTANCE	100MΩ MIN. AT 500V DC

■ Operating Characteristics

OF max.g	1,380
RF min.g	260
PT	25° ± 5°
MD max.	10°
TT min	55°

LIMIT SWITCH
 MODEL NO SW2MS-AL
 PROTECTION GRADE IP67
 ELECTRICAL RATING 5A-250VAC
 0.8A-125VAC 0.4A-250VDC
 AMBIENT TEMPERATURE -10°C-55°C
 KIMM NO EX22P841 IP67
 Qlight Co., Ltd. http://www.qlight.com

	ISO2768-1 : CLASS OF TOLERANCE					SURFACE FINISH
	f	m	⊙	v		
FOR LINEAR DIMENSIONS	0.5~3	±0.05	±0.1	±0.2	-	
	3~6			±0.3	±0.5	
	6~30	±0.1	±0.2	±0.5	±1	
	30~120	±0.15	±0.3	±0.8	±1.5	
	120~400	±0.2	±0.5	±1.2	±2.5	
	400~1000	±0.3	±0.8	±2	±4	
FOR ANGULAR DIMENSIONS	0~10	±1°		±1°30'	±3°	
	10~50	±0°30'		±1°	±2°	
	50~120	±0°20'		±0°30'	±1°	
	120~400	±0°10'		±0°13'	±0°30'	

Nr.	DWG. NO.	TITLE/ NAME	MAT'L	QTY	REFERENCE
DSND BY	CHKD BY	CHKD BY	APRV BY	VIEW	DATE
J.I.BAE	Y.H.JOO		J.K.HAN	3	2025.06.29
TITLE SW2MS-AL OUTLINE DRWAING			MODEL SW2MS-AL		
DWG. NO. SW2MS-AL-OUT			SCALE N/S		
SIZE A4	REV 00	SHEET 1/1			



1 2 3 4 5 6

A4(297X210)