

Wireless Multiple Color LED Steady Signal Light

QMCL125-WIZ

Can remotely monitor and control the status of light units using a PC or smartphone



QMCL125-WIZ

PRODUCT SPECIFICATION

QMCL125-WIZ
QMCL125-WIZ-BZ

Materials Lens-PC, Housing-ABS
Ambient operating temperature -30°C to +50°C
Volume Max. 80dB at 1m
Protection rating IP65
Compliant with RoHS directive

- Allows you to build an advanced production network system with a low cost
- Uses a Mesh Topology that operates in 2.4 GHz Short-Range wireless technology which ensures the communication reliability in harsh environments
- Multi-hop function of the signaling device enables a stable long-distance communication(with up to 100M between devices)
- Cost-effective by requiring no additional cable when change the layout of production lines
- Wireless communication protocol : Zigbee(IEEE802.15.4)
- Can generate 7 color light signals in one light unit
- Translucent color when off, the soft LED illuminates designated colors when on

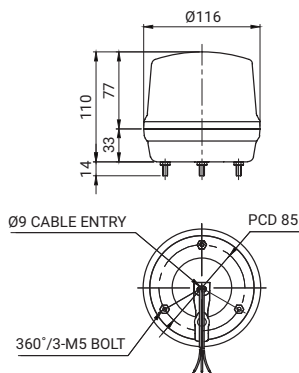
Wiring Instructions

- External signal line : Signal line 4P (R,G,B,K) threading, signal line standard UL1007 AWG22(0.3sq) 400mm
- Please refer to Wiring Instructions diagram to properly configure color options

Technical Diagram

Units : mm

·QMCL125-WIZ



QMCL125-WIZ Ø125mm Wireless Multiple Color LED Steady Signal Lights

Model number	Voltage	Certificates	Weight	Color
QMCL125-WIZ	DC12V	CE	0.34kg	7 Color
QMCL125-WIZ-BZ	DC24V	FC		

Light source/buzzer current(based on 1 layer)

Voltage	DC12V	DC24V
Light source current(1 layer)	300mA	185mA
Buzzer current	70mA	40mA

Customization

- Wall Mounting bracket options :
Bracket structure allows for threading through the bracket hole or into the wall mount



Wall mount bracket SWP125

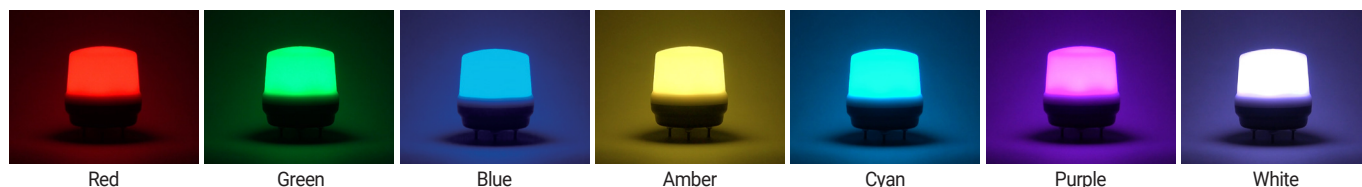


Wall mount bracket SWM125

Ordering Specification

QMCL125-WIZ	-	BZ	-	24
[Model number]		[Buzzer]		[Voltage]
QMCL125-WIZ QMCL125-WIZ-BZ		None - No buzzer BZ- Built-in buzzer		12-DC12V 24-DC24V

Signal Color Options



Red

Green

Blue

Amber

Cyan

Purple

White



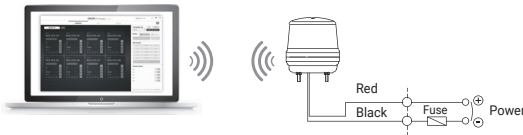
Wiring Instructions

- External power line - UL1015 18AWG(0.75sq)400mm
- External signal line - UL1007 22AWG(0.3sq) 400mm
- Please refer to Wiring Instructions diagram to properly configure wireless network option

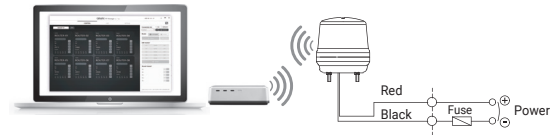
Connection by USB

Connection via USB Dongle

QMCL125-WIZ



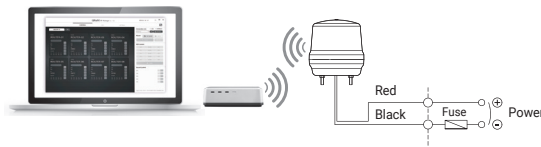
Connection via Gateway



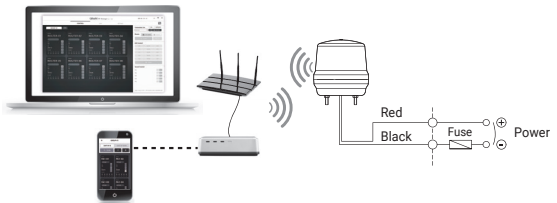
Connection by Ethernet

Ethernet Connection via Gateway

QMCL125-WIZ



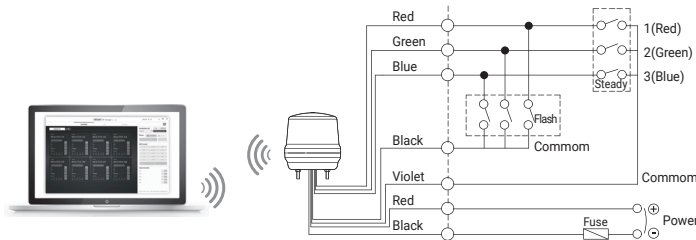
Ethernet Connection via Gateway and Ethernet Router



- Please refer to the wiring instructions diagram below to properly configure the external contact.

Wiring using external contact

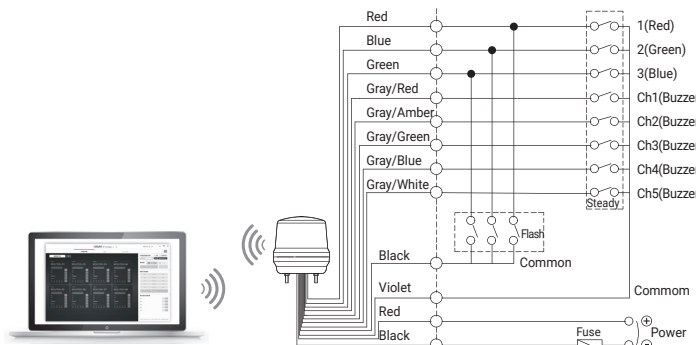
QMCL125-WIZ



· Wiring Configuration for Signal Color

No.	Color	wiring
1	Red	1(RED)
2	Green	2(GREEN)
3	Blue	3(BLUE)
4	Amber	1(RED)+2(GREEN)
5	Cyan	2(GREEN)+3(BLUE)
6	Purple	1(RED)+3(BLUE)
7	White	1(RED)+2(GREEN)+3(BLUE)

QMCL125-WIZ-BZ



· Wiring Configuration for Signal Color

No.	Color	wiring
1	Red	1(RED)
2	Green	2(GREEN)
3	Blue	3(BLUE)
4	Amber	1(RED)+2(GREEN)
5	Cyan	2(GREEN)+3(BLUE)
6	Purple	1(RED)+3(BLUE)
7	White	1(RED)+2(GREEN)+3(BLUE)

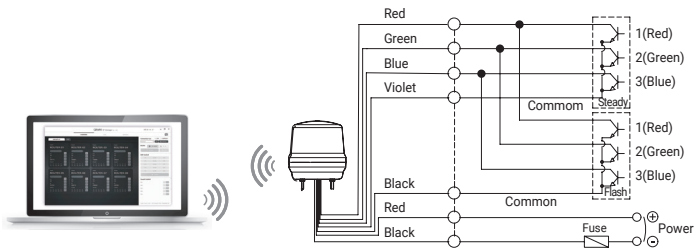
QMCL125-WIZ

Wiring Instructions

· Please refer to the wiring instructions diagram below for proper wiring when using a transistor.

Wiring using transistor

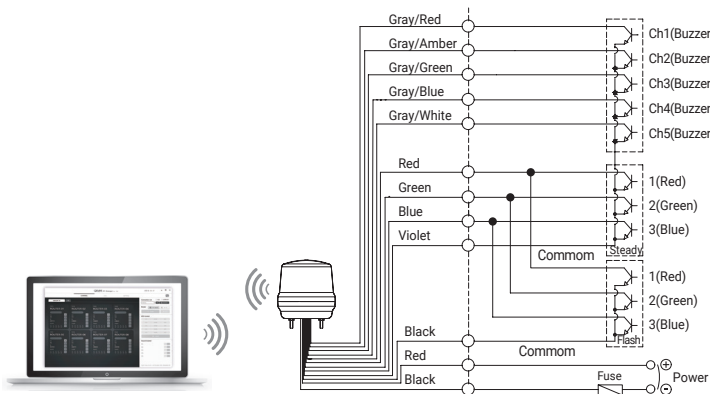
QMCL125-WIZ



· Wiring Configuration for Signal Color

No.	Color	wiring
1	Red	1(RE D)
2	Green	2(GREEN)
3	Blue	3(BLUE)
4	Amber	1(RE D)+2(GREEN)
5	Cyan	2(GREEN)+3(BLUE)
6	Purple	1(RE D)+3(BLUE)
7	White	1(RE D)+2(GREEN)+3(BLUE)

QMCL125-WIZ-BZ



· Wiring Configuration for Signal Color

No.	Color	wiring
1	Red	1(RE D)
2	Green	2(GREEN)
3	Blue	3(BLUE)
4	Amber	1(RE D)+2(GREEN)
5	Cyan	2(GREEN)+3(BLUE)
6	Purple	1(RE D)+3(BLUE)
7	White	1(RE D)+2(GREEN)+3(BLUE)