

LED Warning Lights with High Volume Built-in Buzzer

QAD Series



PRODUCT SPECIFICATION

QAD80BZ | QAD100BZ
QAD125BZ

Materials Lens-PC, Body-ABS
Ambient operating temperature -30°C to +50°C
Protection rating IP65
Flashing rate 60-80/min
 (Built-in Steady-Flash selection switch)
Compliant with RoHS directive

- Combination of warning light and horn allow for both visual and audible signal transmission at once
- Siren buzzer sound output of Max 105dB
- Built-in high volume buzzer type



QAD125BZ

QAD80BZ Wall Mount Type LED Steady/Flash & Electric Horn

Model number	Voltage	Current	Sound pattern and volume	Certificates	Weight	Color
QAD80BZ	DC12V	550mA	·Buzzer volume : Max.105dB	CE UL	0.75kg	● R-Red
	DC24V	300mA			0.75kg	● A-Amber ● G-Green ● B-Blue

※ UL Listed: DC24V

QAD100BZ Wall Mount Type LED Steady/Flash & Electric Horn

Model number	Voltage	Current	Sound pattern and volume	Certificates	Weight	Color
QAD100BZ	DC12V	550mA	·Buzzer volume : Max.105dB	CE UL	0.98kg	● R-Red
	DC24V	300mA			1.01kg	● A-Amber ● G-Green ● B-Blue
	AC110V -220V	Max. 120mA				

※ AC type model has a free-voltage range of 100V-240V.

※ UL Listed: DC24V

QAD125BZ Wall Mount Type LED Steady/Flash & Electric Horn

Model number	Voltage	Current	Sound pattern and volume	Certificates	Weight	Color
QAD125BZ	DC12V	550mA	·Buzzer volume : Max.105dB	CE UL	1.22kg	● R-Red
	DC24V	300mA			1.27kg	● A-Amber ● G-Green ● B-Blue
	AC110V -220V	Max. 120mA				

※ AC type model has a free-voltage range of 100V-240V.

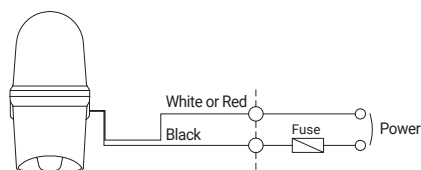
※ UL Listed: DC24V



QAD Series buzzer and electric sound is rich and clear because the RESONANCE CHAMBER amplifies the sound

Wiring Instructions

·QAD80BZ / QAD100BZ / QAD125BZ-DC/AC



- External Power line UL1015 AWG18(0.75sq) x 2C 400mm
- External signal line - UL1007 AWG22(0.3sq) 400mm
- This product can be wired regardless of polarity.

LED Warning Lights with High Volume Built-in Buzzer

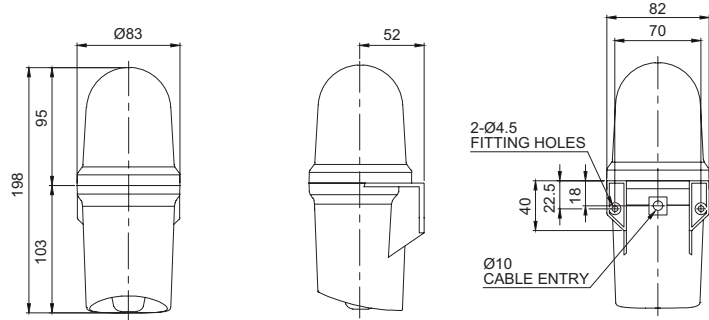
QAD Series



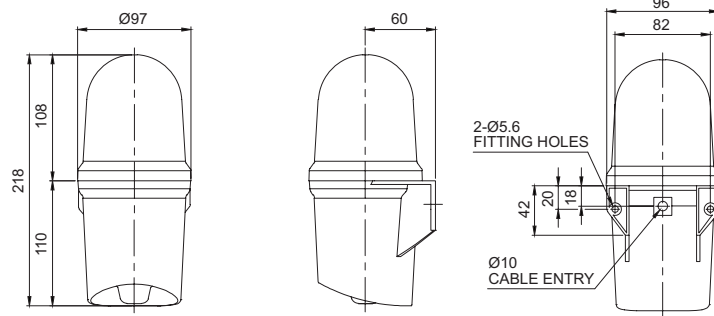
Technical Diagram

Units: mm

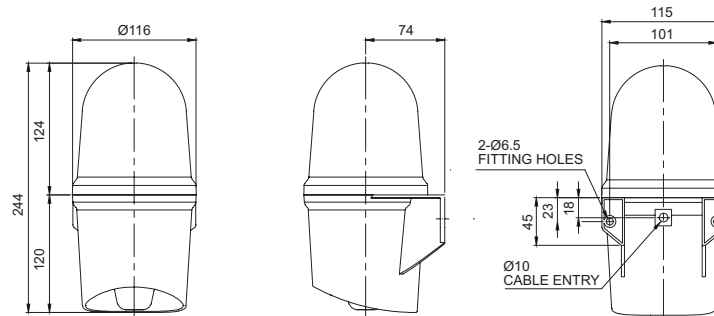
QAD80BZ



QAD100BZ



QAD125BZ



Ordering Specification

QAD80BZ	-	24	-	R
[Model number]		[Voltage]		[Color]
QAD80BZ		12-DC12V 24-DC24V		<ul style="list-style-type: none"> ● R-Red ● A-Amber ● G-Green ● B-Blue
QAD100BZ QAD125BZ		12-DC12V 24-DC24V 110/220- AC110V-220V		