

QWCD Series

A new concept of using the horn cover as a light globe



PRODUCT SPECIFICATION

QWCD35(SD) | QWCD50(SD)
QWCD35T(SD) | QWCD50T(SD)
QWCD35B | QWCD35BT

Materials Horn-PC, Housing-PC+ABS

Ambient operating temperature

-30°C to +50°C(Standard type/buzzer type)

-50°C to +50°C(Low temperature type only DC)

-20°C to +50°C(SD Card type)

Protection rating IP66

Flashing rate 60-80 flashes/min

Compliant with RoHS directive

- Combination of built-in 31 sounds and MP3(SD Card)
- High-volume buzzer sound (buzzer type)

- Easy device customization with built in sound selection function, volume adjustment function and an SD Card slot for user inputted tones
- 31 pre-recorded tones available via binary input.
- The user can select their own tones by inputting the MP3 file directly into the SD Card
- Suitable for use in environments that require a tight seal and superior dust protection rated IP66.
- Terminal box is attached separately for convenient wiring(QWCD35T, QWCD35TSD, QWCD50T, QWCD50TSD, QWCD35BT)
- High-volume buzzer output(QWCD35B, QWCD35BT)
- Support for CAN communication type products (Customization : QWCD35, QWCD35T)

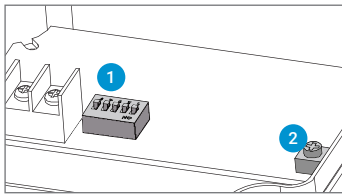
QWCD Series is an integrated horn and light globe.

QWCD Series	
QWCD35(T)	Built-in standard sound
QWCD35(T)SD	MP3(SD Card)
QWCD50(T)	Built-in standard sound, large output sound
QWCD50(T)SD	MP3(SD Card), large output sound
QWCD35B(T)	Built-in high volume buzzer

Qlight's exclusive innovative design the horn cover emits light!

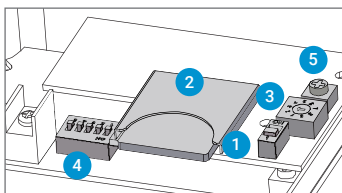
- By using the horn cover as a light globe, the size of the product has been reduced significantly
- The color of light can be selected from red, yellow, green, or blue
- Product has two models: the basic model with 31 built-in sounds, and an external sound (MP3) type model
- Includes seven different playback functions; one function is the continuous playback function which provides constant message notification
- Can play special alarm sounds depending on environment, and supports binary input method
- Can play up to 31 sounds by saving MP3 files on SDcard
- By making the horn cover with polycarbonate (PC) material, The product has excellent durability and weather resistance
- Can be used for heavy-duty, ship, or outdoor use which requires waterproof, dustproof structure (IP66)

Built-in sound type



- 1 Sound selection switch
- 2 Volume

SD Card(MP3) type



- 1 Sound setting switch
- 2 MP3 playable SD Card slot
- 3 Play mode setting switch
- 4 Sound selection switch
- 5 Volume

The input method of built-in sound type

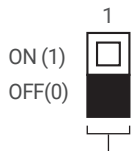
	1	2	3	4	5
ON	<input type="checkbox"/>	<input type="checkbox"/>	<input type="checkbox"/>	<input type="checkbox"/>	<input type="checkbox"/>
OFF	<input type="checkbox"/>	<input type="checkbox"/>	<input type="checkbox"/>	<input type="checkbox"/>	<input type="checkbox"/>
No.	1	2	3	4	5
0	0	0	0	0	0
1	0	0	0	0	1
2	0	0	0	1	0
:	:	:	:	:	:
31	1	1	1	1	1

Built-in sound type model supports Binary input mode which provides a selection of 31 different input combinations for five kinds of sounds.

You can only select 2 numbers with 1 switch; "0", "1". With 5 switches you can have 31 combinations. Selecting one sound from 5 switches is the binary input method.

The sound selection method of SD Card type

- Can easily select built-in sound or external sound(MP3) by using the sound selection switch.



The sound selection

0: Select built-in sound

1: Select SD Card

- 31 built-in alarm sounds and special sound
- Supports SD Cards for external sound (MP3)
- Binary Input: 31Ch
- Bit Input: 5Ch(SD Card only)
- Please refer to [Sound pattern and combination for special alarm product] on this catalogue for detailed settings.



LED Strobe Signal Beacon with Built-in High Volume Buzzer

QWCD Series

QWCD35B LED strobe signal beacon with built-in high volume buzzer



QWCD35B

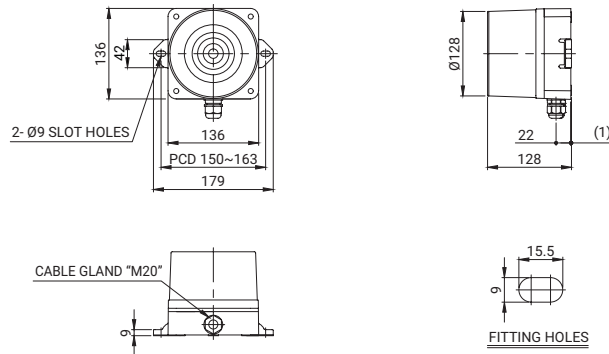
Model number	Voltage	Current	Sound pattern and volume	Certificates	Weight	Color
QWCD35B	DC12V	800mA	·Buzzer volume : Max.115dB	 	0.78Kg	● R-Red
	DC24V	500mA			0.78Kg	● A-Amber
	AC110V-220V	Max.250mA			0.89Kg	● G-Green ● B-Blue

※ AC type model has a free-voltage range of 100V-240V.
 ※ UL Listed: DC12V, DC24V

Technical Diagram

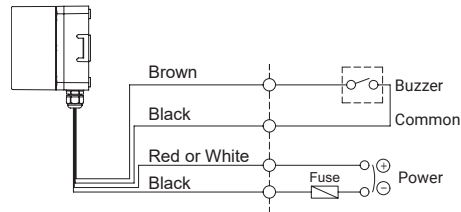
·QWCD35B

Units: mm



Wiring Instructions

·QWCD35B



· DC type : Black output line is negative(-)

Ordering Specification

QWCD35B	-	110/220	-	R
[Model number] QWCD35B		[Voltage] 12-DC12V 24-DC24V 110/220-AC110V-220V		[Color] ● R-Red ● A-Amber ● G-Green ● B-Blue



QWCD35BT LED strobe signal beacon with built-in high volume buzzer

Model number	Voltage	Current	Sound pattern and volume	Certificates	Weight	Color
QWCD35BT	DC12V	800mA	·Buzzer volume : Max.115dB		0.86Kg	● R-Red
	DC24V	500mA			0.86Kg	● A-Amber
	AC110V-220V	Max.250mA			0.97Kg	● B-Blue

※ AC type model has a free-voltage range of 100V-240V.
 ※ UL Listed: DC12V, DC24V

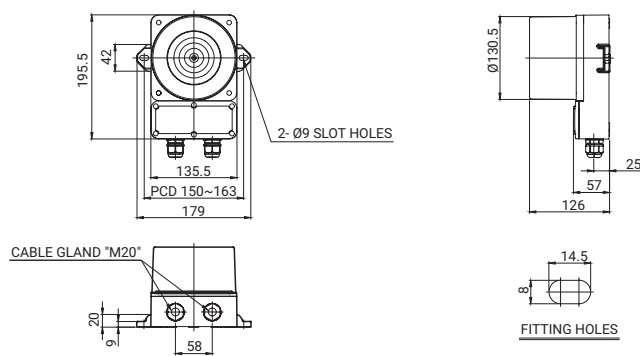


QWCD35BT

Technical Diagram

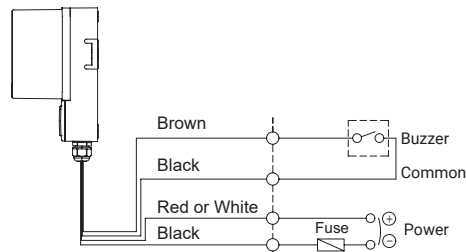
·QWCD35BT

Units: mm



Wiring Instructions

·QWCD35BT



· DC type : Black output line is negative(-)

Ordering Specification

QWCD35BT	-	110/220	-	R
[Model number]		[Voltage]		[Color]
QWCD35BT		12-DC12V 24-DC24V 110/220-AC110V-220V		● R-Red ● A-Amber ● G-Green ● B-Blue