

# Waterproof LED Light Bars for Multi-use with Protection of IP67/IP69K

## QCML-3C

Waterproof LED light bar with 3 color configurations



QCML-3C



Red

Amber

Green

### PRODUCT SPECIFICATION

QCML-3C

**Materials** Lens-PC, Side cover-PC, Heatsink-STs, Bracket-PC  
**Ambient operating temperature** -20°C to +50°C  
**Protection rating** IP67/IP69K  
**Certificates** CE

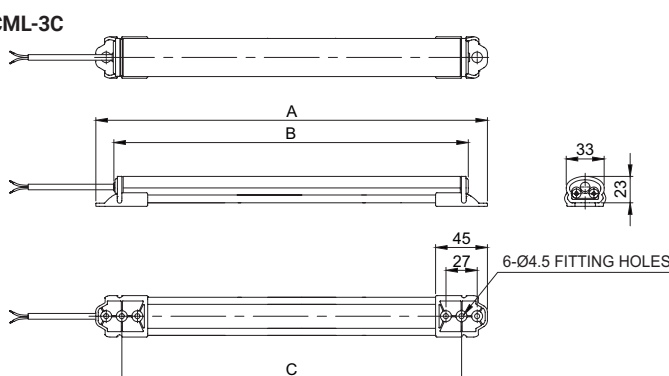
- Save installation cost and space by utilizing this single LED light bar with 3 configurable colors
- Side cover and lens are integrated together with a multi silicon rubber sealing structure for superior protection from water
- Aesthetically pleasing with slim and compact housing
- Polycarbonate material provides superior heat and shock resistance
- Features great seal and durability in food processing, pharmaceutical, and beverage processing machine that needs high temperature wash down
- Detachable mounting bracket structure enables to adjust mounting hole space freely
- Protection rating : IP67, IP69K
- Standard model: Side cover cable outlet type (Protection rating: IP67, IP69K)
- Customization: Lens rear cable outlet type (Protection rating: Non-Waterproof)  
Side cover M12 connector outlet type (Protection rating: IP67, IP69K)

### QCML-3C Waterproof LED Light Bars for Multi-use

Optics Specifications				
Model number	QCML-100-3C	QCML-200-3C	QCML-300-3C	QCML-400-3C
Lens color	Translucent			
Light color/	Red	618-635 nm		
Color	Amber	590-595 nm		
temperature	Green	510-530 nm		
Specifications				
Model number	QCML-100-3C	QCML-200-3C	QCML-300-3C	QCML-400-3C
Voltage	DC24V			
Range for operation voltage	DC21.6V-26.4V			
Power consumption	1W	1.7W	2.5W	3.5W
Insulation resistance	Min. 100MΩ(500V DC mega ohm meter)			
Withstanding voltage	DC: 500VAC, 60Hz, 1 minute			
Operating temperature	-20°C to +50°C			
Protection rating	IP67/IP69K			
Materials	Lens-PC, Side cover-PC, Heatsink-STs, Bracket-PC			
Certifications	CE			
Weight(Approx.)	0.10kg	0.20kg	0.24kg	0.30kg

### Technical Diagram

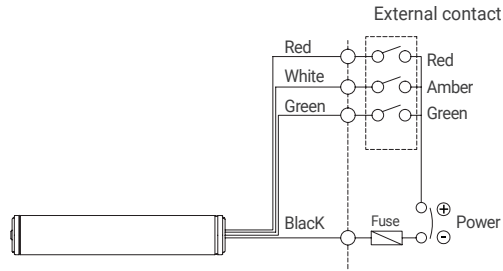
Units: mm



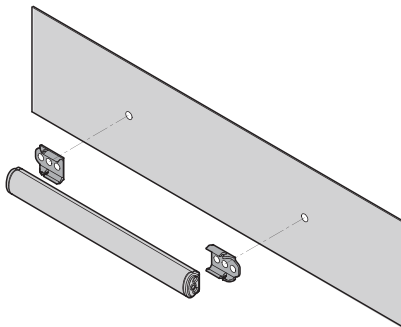
MODEL	A	B	C
QCML-100-3C	157	123	45-112
QCML-200-3C	262	228	45-217
QCML-300-3C	362	328	45-317
QCML-400-3C	462	428	45-417

External power line - UL2464-AWG22(0.3sqx4C) 450mm

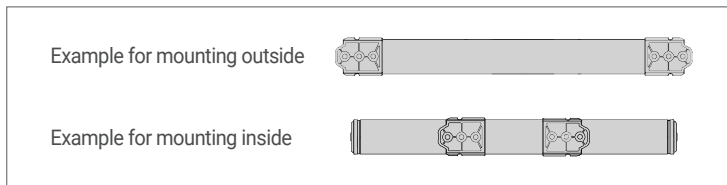
### Wiring Instructions



### Mounting Structure

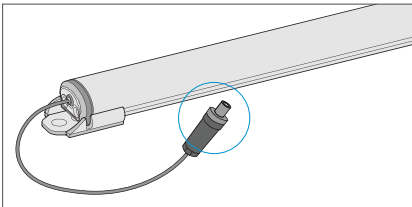


- Adopts removable mounting bracket and sliding structure, adjustable mounting distance.
- Mounting bracket is arranged on edge or middle of body, in case of edge of body, mounting bracket space is kept.

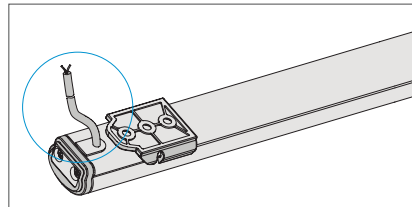


### Customization

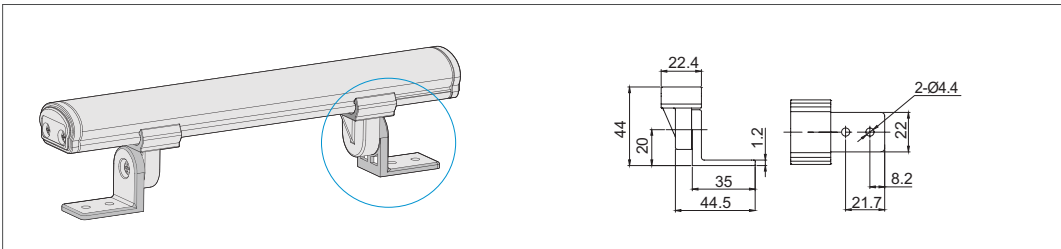
- Cable end M12 connector attached type: Customized cable end M12 connector attached type available



- Lens rear side cable outlet type : Customized model that is a lens rear side cable outlet type available. (Cable hole specifications are different from standard model, so please inquire separately.)



- Foldable Bracket: Adjustable from 0° to 180° degrees



### Ordering Specification

QCML	-	300	-	3C	-	24
[Model number]		[Product length]		[Light color]		[Voltage]
QCML		100-123mm 200-228mm 300-328mm 400-428mm		3C- 3 Color standard		24-DC24V