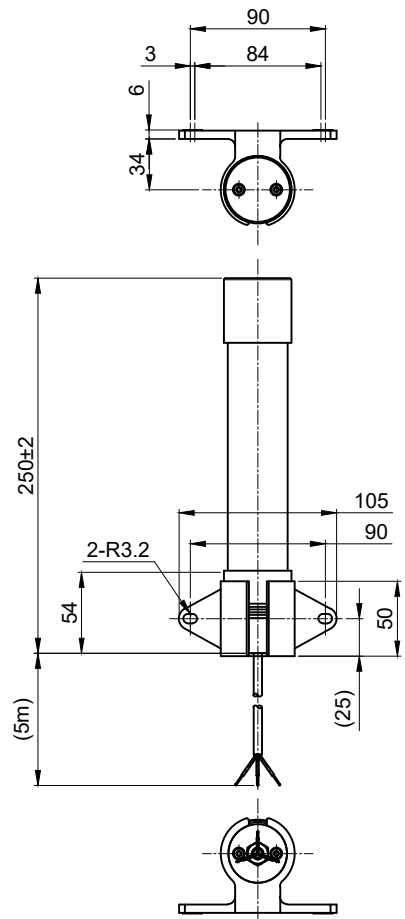


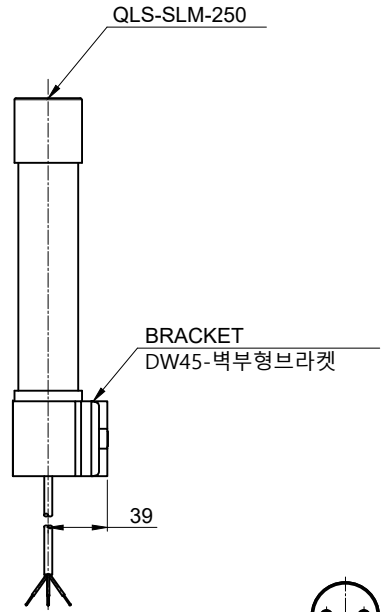
1 2 3 4 5 6

A

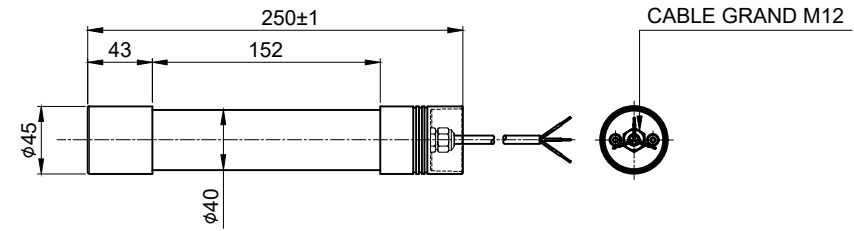
A



BRACKET INSTALLED VIEW



QLS-SLM-250 PRODUCT VIEW



MARK	DATE	REVISION	REVISER	APP .BY
①				
②				
③				

MODEL NO	QLS-SLM-250			
MATERIAL	HOUSING (SIDE COVER) - PC			
	HOUSING (SIDE COVER) - PC			
	LENS (GLOBE) - PC			
COLOR OF LENS	TRANSLUCENT			
USE VOLT.	POWER CONSUMPTION	DC24V	8.6W	
PROTECTION GRADE	Non Water-Proof			
CABLE ENTRY	M12			

B

B

C

C

D

D

1. POWER CABLE
- UL2464x3C (0.75SQ) 5m

	ISO2768-1 : CLASS OF TOLERANCE					SURFACE FINISH
	f	m	Ⓞ	v		
FOR LINEAR DIMENSIONS	0.5~3	±0.05	±0.1	±0.2	-	
	3~6			±0.3	±0.5	
	6~30	±0.1	±0.2	±0.5	±1	
	30~120	±0.15	±0.3	±0.8	±1.5	
	120~400	±0.2	±0.5	±1.2	±2.5	
	400~1000	±0.3	±0.8	±2	±4	
FOR ANGULAR DIMENSIONS	0~10	±1°		±1°30'	±3°	
	10~50	±0°30'		±1°	±2°	
	50~120	±0°20'		±0°30'	±1°	
	120~400	±0°10'		±0°13'	±0°30'	

Nr.	DWG. NO.	TITLE/ NAME		MAT'L	QTY	REFERENCE
DSND BY	CHKD BY	CHKD BY	APRV BY	VIEW	DATE	
J.Y. KIM	Y.H. JOO		J.K. HAN	3	2020.03.19	
TITLE				MODEL		
QLS-SLM-250 LAYOUT				QLS-SLM SERISE		
				DWG. NO.		
				QLS-SLM LAYOUT		
SCALE	SIZE	REV	SHEET			
N/S	A4	00	1/1			

1 2 3 4 5 6

A4(297X210)