

EMCL Series



EMCL30

EMCL50

PRODUCT SPECIFICATION

EMCL30 | EMCL50
EMCL70 | EMCL90

Materials Housing-AL, Lens-PC
Ambient operating temperature -25°C to +55°C
Volume Max. 85dB at 1m
Protection rating
Standard type-IP69K, Built-in buzzer type-IP20

- Small indicator light capable of transmitting three signal colors with one indicator light
- By applying a translucent lens, the unique color of the LED is emitted subtly when turned on
- Respond to customer needs with various outer diameters (30mm, 50mm, 70mm, 90mm) and designs
- Waterproof and dustproof model with fully sealed structure with IP69K protection rating to cope with harsh environmental conditions
- Built-in buzzer type available

EMCL Series Industrial LED Beacon

Model number	Voltage	Current	Certificates	Weight	Color
EMCL30 Steady	DC24V	40mA	CE	0.05kg	● R-Red ● A-Amber ● G-Green
EMCL30-BZ Steady w/built-in buzzer					
EMCL50 Steady				0.09kg	
EMCL50-BZ Steady w/built-in buzzer					
EMCL70 Steady	61mA	0.16kg			
EMCL70-BZ Steady w/built-in buzzer					
EMCL90 Steady				0.21kg	
EMCL50-EMCL90-BZ Steady w/built-in buzzer					

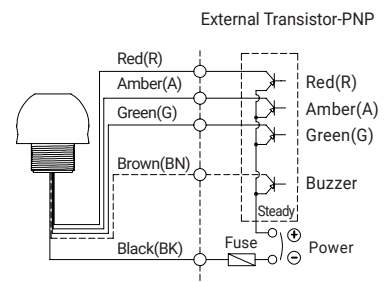
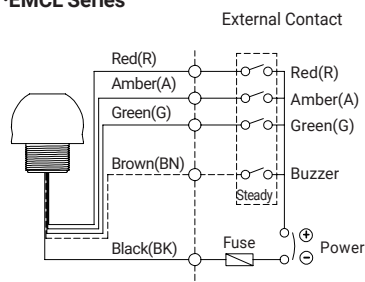
Bracket

It can be installed on the wall by adopting wall mounting type bracket.



Wiring Instructions

EMCL Series

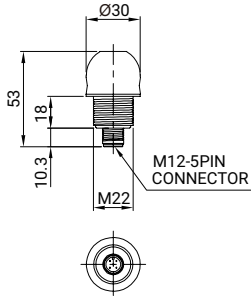




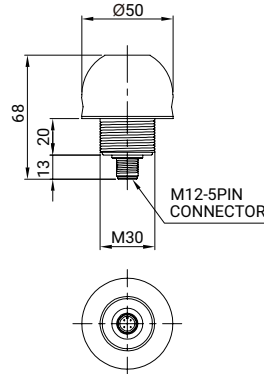
Technical Diagram

Units: mm

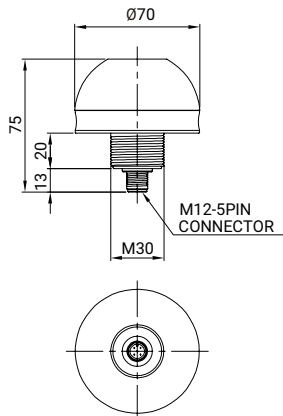
-EMCL30 / EMCL30-BZ



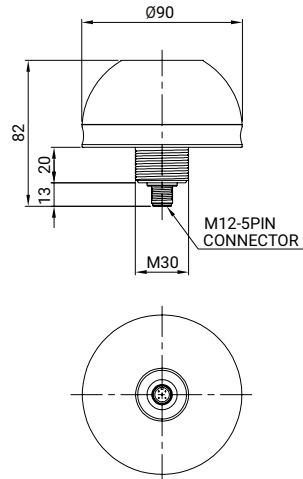
-EMCL50 / EMCL50-BZ



-EMCL70 / EMCL70-BZ



-EMCL90 / EMCL90-BZ



EMCL70



EMCL90

Customization

- M12 Fiev-core cable/1.5m
- NPN type

M12 connector type

5PIN CONNECTOR	No.	Color	Wiring
	1	RED	Pin 1
	2	AMBER	Pin 2
	3	GREEN	Pin 3
	4	Common	Pin 4
	5	Buzzer	Pin 5

Ordering Specification

EMCL30	-	24	-	RAG	-	M12
[Model number]		[Voltage]		[Color]		[Cable]
EMCL30 EMCL30-BZ EMCL50 EMCL50-BZ EMCL70 EMCL70-BZ EMCL90 EMCL90-BZ		24-DC24V		● R-Red ● A-Amber ● G-Green		None-External contact M12-M12 connector type