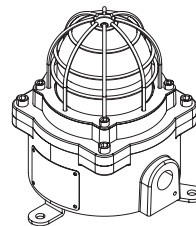
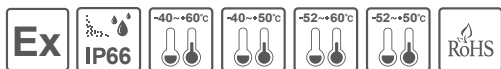


Explosion-Proof LED Signal Beacon

QNE/ QNE-CR



Thank you for purchasing Qlight's products. Please read this user manual carefully prior to installation and operation to ensure safe and correct use.

⚠ Safety Precautions for Explosion Proof Products

Please follow the instruction below to ensure safe and correct use of explosion proof products.

1. Explosion proof products should be managed according to explosion proof regulations. Do not disassemble, assemble, alter or repair the product arbitrarily.
2. The temperature rating of the product is the temperature the product will experience at the applied rated voltage and ambient temperature indicated.
3. Use cable glands that satisfy the product's explosion proof grade and temperature grade.
4. Unused cable entries must be filled with material that meets the explosion proof grade and temperature rating.
5. Before installing the product, please make sure all cautions indicated on the labels, packaging, and operation manual of the product are fully understood.
6. Installation, maintenance and repair of the product must be performed by experts in the explosion proof field, or persons who have received relevant training.
7. For safety, the product should be installed and operated in environments that avoid high temperature and high pressure.
8. Please follow general safety precautions and avoid installing the product in locations that may generate excessive heat.
9. When installing the product in places where chemicals are located, please make sure that the environment does not have two or more incompatible chemicals mixed. For safety, please read the instruction manual carefully and be mindful of the chemical compositions where the product is used.
10. This product requires grounding.
11. Please note that special conditions shall be applied if the sign "X" is placed after the certificate number.
 - 1) For safe use, regular overpressure test must be carried out in accordance with EN 60079-1, clause 15.2.3.
 - 2) For safe use, tempered glass must be protected from strong impact
12. When using NPT cable glands (plugs), it is recommended to use them after applying non-hardening grease to maintain protective performance.

⚠ Precaution for Safety

Failure to follow the instructions below may cause a loss of life or serious physical injury.

1. During wiring or maintenance, please completely turn off the power of the product. (Failure to follow this may lead to an electric shock.)
2. Do not install the product in locations that subjects it to excessive dust or water other than the conditions designated by the IP protection ratings indicated for each product. (Failure to follow these instructions may cause a fire to the product, electric shock, physical injury, malfunction or damage to the product.)
3. Do not alter or repair this product. If maintenance or repair service is required, please contact your local Qlight contact point. (Failure to follow these instructions may lead to fire, electric shock, or product damage.)
4. Please apply the correct voltage to the product. (Failure to follow these instructions may lead to fire, electric shock, or product damage.)
5. When the product is applied to a condition that may impact lives or property, please make sure to have a double safety device. (Failure to follow this may cause damage to property, fire, electric shock and loss of life.)

⚠ Precautions for Correct Use

Failure to follow the proper instructions may cause damage to property, the product, or malfunction of the product that would void the warranty.

1. Please remove any objects that can interrupt ventilation around the product.
2. Please turn off the power of the product immediately if it fails to operate properly.
3. Carefully wire the product according to each product's specification.
4. Please be careful in preventing chemicals such as thinner, benzene, etc. in contact with the surface of the product.
5. Do not apply excessive force/impact to the product.
6. Failure to follow any of the instructions above may cause malfunction or damage to the product, fire, and electric shock.



Please scan the QR code for more detailed product information.

www.qlight.com

Ordering Specifications

QNE	-	110/230	-	R	-	SUS
[Model number]		[Voltage]		[Color]		[Housing material]
<ul style="list-style-type: none"> • QNE • QNE-CR • QNE-SUS • QNE-CR-SUS 		<ul style="list-style-type: none"> • 12/24-DC12V-24V • 110/230-AC110V-230V 		<ul style="list-style-type: none"> R-Red A-Amber G-Green B-Blue 		<ul style="list-style-type: none"> • None - Al • SUS - STS316L



Product Specifications

Explosion Proof Specifications

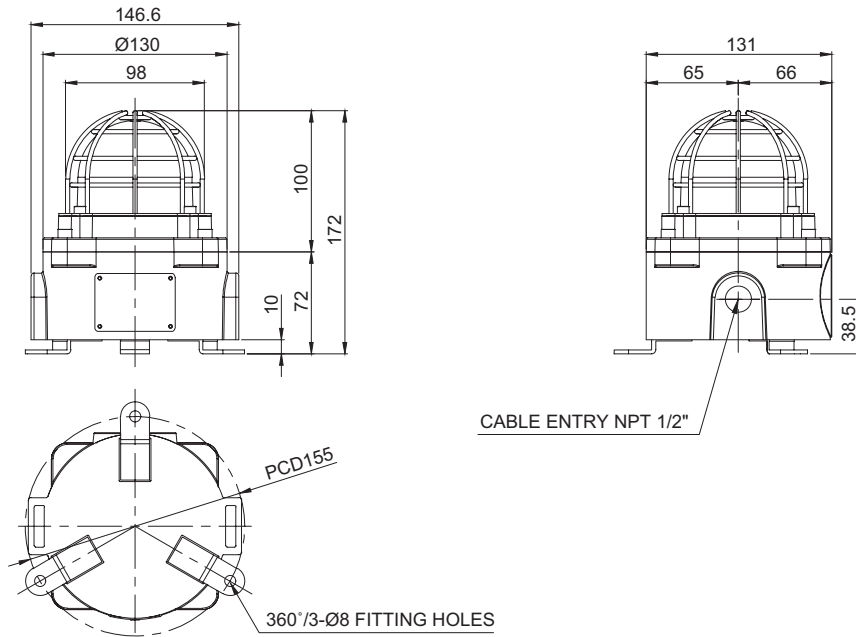
Model number	QNE(AI/ SUS) QNE(AI/ SUS)
Range of operating voltage	DC 12V or 24V/AC 110V or 230V
Ex mark	<p>QNE IECEX - Ex db IIC T6/T5 Gb, Ex tb IIIC T85°C/T100°C Db ATEX - Ⓜ II 2G Ex db IIC T6/T5 Gb, Ⓜ II 2D Ex tb IIIC T85°C/T100°C Db NEPSI, CCC - Ex db IIC T5/T6 Gb KCs - Ex d IIC T6/T5, IP66</p> <p>QNE-CR IECEX - Ex db IIC T6/T5 Gb, Ex tb IIIC T85°C/T100°C Db ATEX - Ⓜ II 2G Ex db IIC T6/T5 Gb, Ⓜ II 2D Ex tb IIIC T85°C/T100°C Db</p>
Ambient operating temperature	<p>QNE -40°C ≤ Tamb ≤ +60°C (T5) -40°C ≤ Tamb ≤ +50°C (T6)</p> <p>QNE-CR -52°C ≤ Tamb ≤ +60°C (T5) -52°C ≤ Tamb ≤ +50°C (T6)</p>
Explosion proof Zone	Zone1, Zone2
Material	ALDC12.1, SUS316L
Protection rating	IP66

Zone definitions(Gas)	Zone 1	High risk gas/vapour(Gas)
	Zone 2	Medium risk gas/vapour(Gas)
Group definitions(Gas)	GROUP II A	Acetone, Petrol, Methanol, Propane, Toluene
	GROUP II B	Ethylene, City gas
	GROUP II C	Hydrogen, Acetylene, Carbon sulphide
Maximum surface temperature of electrical equipment	T1	450°C
	T2	300°C
	T3	200°C
Zone definitions(Dust)	T4	135°C
	T5	100°C
Group definitions(Dust)	T6	85°C
	Zone 21	High risk powder/dust(Dust)
	Zone 22	Medium risk powder/dust(Dust)
Group definitions(Dust)	GROUP II A	Ignitable fibers/flyings(more than 0.5mm)
	GROUP II B	Non-conductive dusts
	GROUP II C	Conductive dusts

General Product Specifications

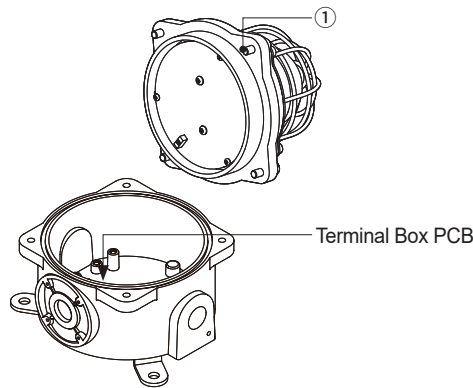
Model number	Voltage	Current	Certificates	Weight	Color	
QNE	DC12-24V	Max.350mA		2.05kg	R-Red A-Amber G-Green B-Blue	
	AC110-230V	Max.110mA				
QNE-SUS	DC12-24V	Max.350mA				4.65kg
	AC110-230V	Max.110mA				
QNE-CR	DC12-24V	Max.350mA		2.05kg		
	AC110-230V	Max.110mA				
QNE-CR-SUS	DC12-24V	Max.350mA			4.65kg	
	AC110-230V	Max.110mA				

QNE/ QNE-SUS/ QNE-CR/ QNE-CR-SUS

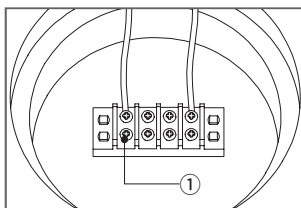


Terminal Block Instructions

- Disassemble the cover assembly set.
 - ① Loosen four M6 bolts.
- For detailed wiring instructions, please refer to image below. Please assemble the cover set in reverse order of disassembly.



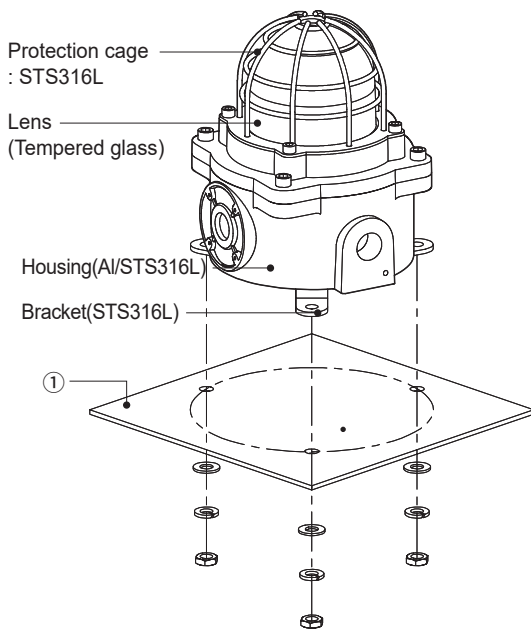
Terminal Box Wiring Instructions(QNE)



- Terminal block is located inside of the QNE.
- Please apply fork (U-type) or ring (O-type) locking spade terminal at naked tip of the wire for secure connection.
- Please wire the power line to terminal ①
- For AC type products, wire regardless of polarity.
- For DC type products, wire terminal of black line to (-) polarity.
- External signal line - UL1015 AWG18(0.75sq) x 2C

Parts Definition/ Installation/ Light Function Selection

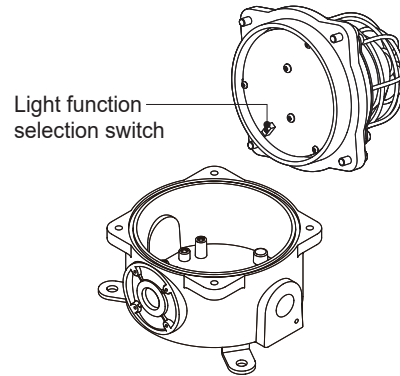
■ Parts Definition/ Installation



- First, machine taps or holes on the mounting surface ①.
- The mounting hole of this product is 8mm in diameter.
- When machining taps, fasten the bolt through the mounting hole of the product.
- When machining holes, insert the bolt through the hole of the product, and tighten the nut from the opposite side of the mounting surface.

■ Light Function Selection

- Please refer to the chart below to use light function selection switch located inside the product.



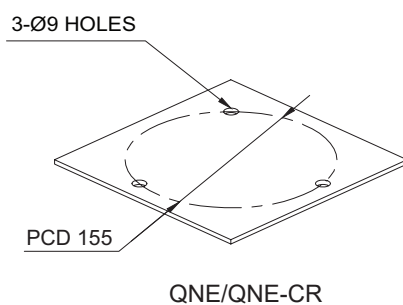
Light function	1 2		
	ON(1) OFF(0)	ON(1) OFF(0)	
No.	1	2	Operation
0	0	0	Steady LED
1	0	1	Flashing LED
2	1	0	Strobe LED
3	1	1	Simulated revolving/ flashing LED

- Default function is set at steady LED. Select the desired function for your application during installation.

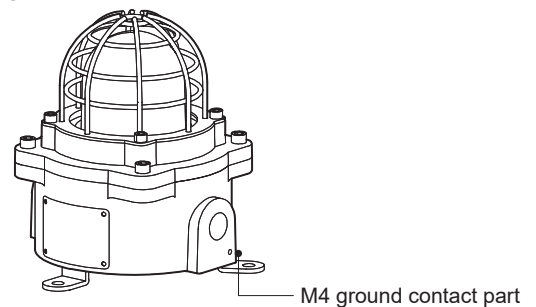
Mounting Hole Specifications/ Grounding Instructions

■ Mounting Hole Specifications

- Machine holes on the mounting surface referring to the diagram below.



■ Grounding Instructions



- Please use an M4 bolt at the location marked in the diagram above to ground the product.
- When connecting the grounding cable, please use a ring terminal.
- Please use a ring terminal made of C5212 material as it has the same electrical properties of the conductor.
- Please use a grounding cable with a diameter greater than 4mm.

Installation Environment and Protection Rating

- This product is designed for use with protection rating of IP66.
- If the product is installed in locations that subject it to excessive dust or water other than the designated IP protection rating indicated (IP66), it may cause malfunction or damage to the product.
- A cable gland is not included with this product. If the product is to be used in an outdoor environment requiring waterproof capability, please install the cable gland after applying separate sealing.
- For further information, please visit our website (www.qlight.com).

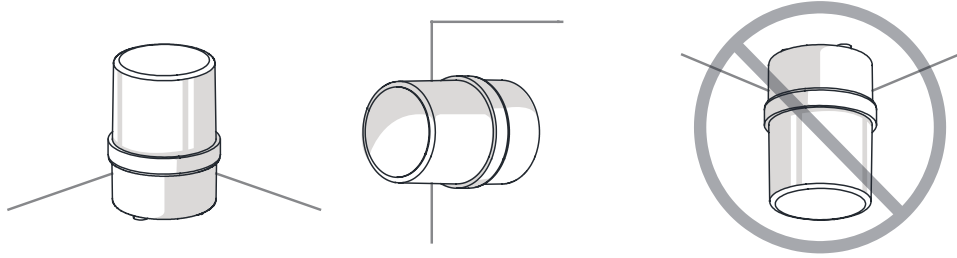
Product installation direction

- Install the product in accordance with the manual. Otherwise rainwater or moisture may penetrate into the product.

· BEACON/SIGNALING LIGHT

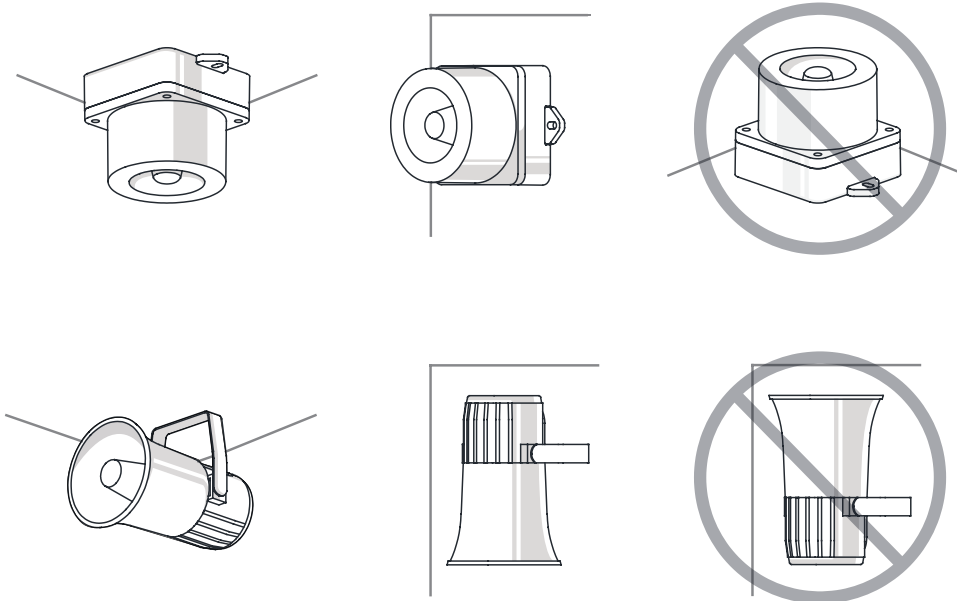
※ For products with a protection rating of less than IPX4, please install it vertically.

Power cord inlet part shall not be facing the sky.



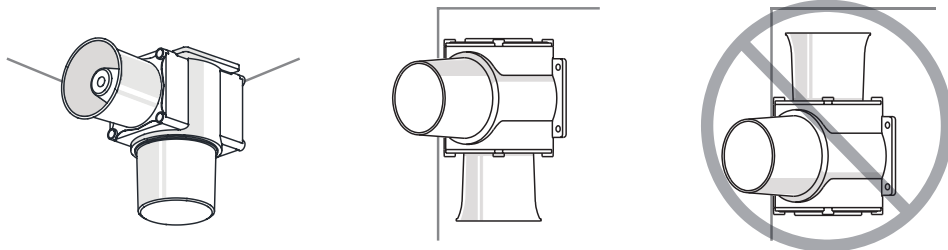
· ELECTRONIC SOUNDER/SIGNAL HORN

Sounder part shall not be facing the sky.



· HEAVY-DUTY & EXPLOSION PROOF SIGNALINGS

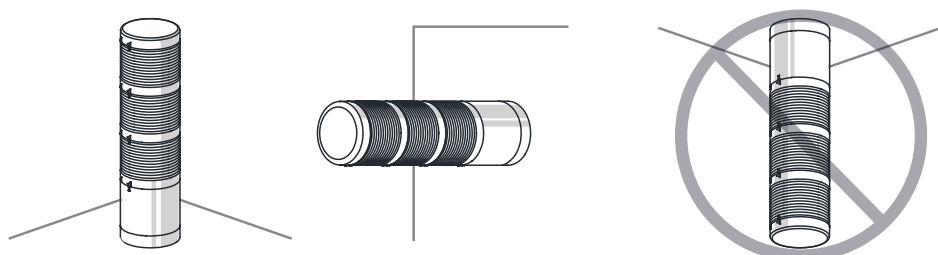
Sounder part shall not be facing the sky.

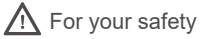


· SIGNAL TOWER LIGHTS

※ For products with a protection rating of less than IPX4, please install it vertically.

Power cord inlet part shall not be facing the sky.





For your safety

Specification and dimensions listed in this catalogue subject to change without notice for product quality improvement.
The newest product information is available on our website.(www.qlight.com)
Please read the instruction manual attached to the product carefully before installation and use.

Korea Corporation Qlight Co., Ltd. www.qlight.com | trade@qlight.com

Head Office | Suite #1510, STX-V Tower, 128 Gasan Digital 1-ro, Geumcheon-gu, Seoul, 08507, South Korea

Tel: +82-2-2679-6152 Fax: +82-2-2679-6154

Factory(Gimhae Production Headquarters) | 185-25, Mukbang-ro, Sangdong-myeon, Gimhae-si, Gyeongsangnam-do, 50805, South Korea

Tel: +82-55-328-1111

Overseas Sales Department | Qlight Building, 704 Nakdong-daero, Sasang-gu, Busan 47044, South Korea Tel: +82-51-620-4100

Busan Business Center | Qlight Building, 704 Nakdong-daero, Sasang-gu, Busan 47044, South Korea Tel: +82-51-245-0017

China Corporation SHANGHAI Qlight Electronic Co., Ltd. www.qlight.com www.qlightcn.com | qlightcn@qlight.com

Sales Corporation (Shanghai) | Room 333 Building B, No.11, Lane 450, Zhenda Road, Baoshan District, Shanghai, China

Tel: +86-21-6651-7100 Fax: +86-21-6315-3929

Manufacturing Corporation (Qidong) | No.33, Haiyan Road, Qidong High-tech Industrial Development Zone, Qidong, Jiangsu Province, China

Tel: +86-513-8384-9999 Fax: +86-513-8384-9910

Qlightec

Innovation in Alarm & Signal

Product Operation Inquiry / Customer Support +82-51-620-4100

You can expect prompt service if you have exact information such as model name, symptom, telephone number and address.

※ ALL PRODUCT, PRODUCT SPECIFICATIONS AND DATA ARE SUBJECT TO CHANGE WITHOUT NOTICE TO IMPROVE RELIABILITY, FUNCTION OR DESIGN OR OTHERWISE.

Head office : Suite #1510, STX-V Tower, 128 Gasan digital 1-ro, Geumcheon-gu, Seoul, Korea (Postal Code : 08507)

Factory : 185-25, Mukbang-Ro, Sangdong-Myeon, Gimhae-Si, Gyeongsangnam-Do, Korea (Postal Code : 50805)

www.qlight.com

EN - QNE - 2603A