

SED / SD / SMD Series

Wall mount Signal Beacon and Electronic Sounder combinations featuring superior durability, tight seal, and corrosion resistance, designed for vessels and heavy Industrial applications



PRODUCT SPECIFICATION

SED | SD | SMD

Materials Lens-PC, Housing-Al, Protection cage-STS316L, Reflector-PC, Reflector-Heat resistant ABS

Cable entry 1/2" PF

Protection rating IP66

Housing standard color MUNSELL No. 7.5BG 7/2

- Wall mount Signal Beacon and Electronic Sounder combinations for vessels and heavy industrial applications
- Aluminum housing and polycarbonate lens material provides excellent impact and shock resistance
- Excellent hermetic structure that block water and dust
- Can select a variety of light source (bulb, LED, xenon lamp) and sound pattern combination
- Attached terminal box enables easy wiring
- Can adjust sound volume and select sound pattern with the switches built inside the products

- **SED Series** Ø125mm signal beacon & electronic sounder with Max.114dB sound output
- **SD Series** Ø150mm signal beacon & electronic sounder with Max.114dB sound output
- **SMD Series** Ø150mm signal beacon & electronic sounder with Max.120dB sound output

1 Lens

Utilizes a strong and durable polycarbonate material with excellent shock and vibration resistance.



Light transmission type

LED revolving type(SEDLR)
LED revolving type(SED)



Light diffusion type

LED steady/flashing type(SEDL)
Xenon lamp strobe type(SEDs)

2 Protection cage

- The durable protection cage is made of corrosion resistant stainless steel that prevents damage to the lens from external contact
- Materials: STS316L

3 A variety of selectable warning sounds and sound messages

You can convey specific information with a variety of 20 warning sounds and voice messages.

Sound	Built-in sound	Ch	Sound tone
WS	5 Warning sounds	Ch1	Fire.A-ANG
		Ch2	Emergency WA-U(Yelp)
		Ch3	Ambulance PI-PO(Hi-low)
		Ch4	Machinery Fault
		Ch5	High Expansion
WP	5 Special warning sounds	Ch1	Fire.A-ANG
		Ch2	Abandon Alarm
		Ch3	Machinery Fault
		Ch4	High Expansion
		Ch5	7 Short Pl. / 1 Long
WM	5 Melodies	Ch1	Sweet Home
		Ch2	For Elise
		Ch3	Cuckoo's Waltz
		Ch4	Piano Sonata
		Ch5	Turkish March
WA	5 Alarms	Ch1	Beep Intermittent
		Ch2	Door Chime
		Ch3	Phone Ring
		Ch4	Pl.PI.PI Short
		Ch5	Tripping Beat
WV	5 Customizable voices	Ch1- Ch5	Customized sound tones

A Variety of Selectable Light Source and Function Combinations

You can select from a variety of light sources for your work environment, condition, and purpose. Basic specifications are as follows.

- LED revolving type
- LED steady/flashing type
- Xenon lamp strobe type
- Bulb revolving type

Customization

- LED strobe type
- LED revolving type

4 Housing

- The special aluminum housing features superior durability
- The housing is corrosion resistant from a special anodized surface treatment process
- Materials: Al

5 Terminal Box

- Terminal box is located at the bottom of the product for easy wiring
- Materials: Al

SED / SD / SMD Series

SED / SD / SMD Series Product Categories



Standard type

- No protection cage is provided
- Recommended for the places where the lens is not damaged by external contact
- SED / SD / SMD Series



Protection cage type

- Provided with protection cage
- Lens can be protected from the damage by external contact
- SEDP / SDP / SMDP Series

SED / SD / SMD Series References

	SED Series	SD Series	SMD Series
Diameter/dB	Ø125mm, Max.114dB at 1m	Ø150mm, Max.114dB at 1m	Ø150mm, Max.120dB at 1m
Materials	Lens-PC, Housing-Al, Protection cage-ST316L, Reflector-PC, Reflector-Heat resistant ABS		
Protection rating	IP66		
Certificates	CCS, CE	CE	-
Cable entry	Standard : 1/2"PF (Customized cable entry available : 3/4"PF)		
Mounting	Wall mount		

	Standard type	Built-in protection cage	Standard type	Built-in protection cage	Standard type	Built-in protection cage
--	---------------	--------------------------	---------------	--------------------------	---------------	--------------------------

LED revolving

Bulb revolving



SEDLR
SED



SEDLRP
SEDP



SDLR
SD



SDLRP
SDP



SMDLR
SMD



SMDLRP
SMDP

LED steady/flashing

Xenon lamp strobe



SEDL
SEDS



SEDLP
SEDSP



SDL
SDS



SDLP
SDSP



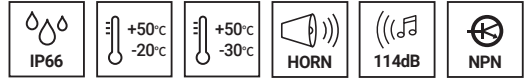
SMDL
SMDS



SMDLP
SMDSP

Signal Beacon and Electronic Sounders for Vessels and Heavy Industry Applications

SED Series



Ø125mm signal beacon and Max.114dB electronic sounder combination

SEDLR / SEDLRP LED Revolving Signal Beacon & Electronic Sounder Combination

Model number	Voltage	Current	Sound pattern and volume	Certificates	Weight	Color
SEDLR SEDLRP	DC12V	1.7A	·WS-5 Warning sounds: Max.114dB	CCS	·SEDLR DC-3.09kg	● R-Red ● A-Amber ● G-Green ● B-Blue
	DC24V	1.3A	·WP-5 Special warning sounds : Max.114dB			
	AC110V	330mA	·WM-5 Melodies: Max.110dB ·WA-5 Alarms: Max.114dB			
	AC220V	180mA	·WV-5 Customizable voices: 108-113dB			

- Revolving speed: 120-140RPM, Ø125mm
- Ambient operating temperature: -20°C to +50°C



SEDLR

SEDL / SEDLP LED Steady/Flashing Signal Beacon and Electronic Sounder Combination

Model number	Voltage	Current	Sound pattern and volume	Certificates	Weight	Color
SEDL SEDLP	DC12V	2A	·WS-5 Warning sounds: Max.114dB	CCS	·SEDL DC-2.96kg	● R-Red ● A-Amber ● G-Green ● B-Blue
	DC24V	1.5A	·WP-5 Special warning sounds : Max.114dB			
	AC110V	370mA	·WM-5 Melodies: Max.110dB ·WA-5 Alarms: Max.114dB			
	AC220V	200mA	·WV-5 Customizable voices: 108-113dB			

- Flashing rate: 60-80 flashes/min(Built-in steady/flashing selection switch), Ø125mm
- Ambient operating temperature: -30°C to +50°C



SEDLP / SEDSP

SEDS / SEDSP Xenon Strobe Signal Beacon and Electronic Sounder Combination

Model number	Voltage	Current	Xenon lamp			Sound pattern and volume	Certificates	Weight	Color
			Spec	Standard	Parts no				
SEDS SEDSP	DC12V	2.5A	200V -550V	EUB0641 -1A(G) U type	48	·WS-5 Warning sounds : Max.114dB	CCS	·SEDS DC-3.01kg	● R-Red ● A-Amber ● G-Green ● B-Blue
	DC24V	1.4A				·WP-5 Special warning sounds: Max.114dB			
	AC110V	360mA				·WM-5 Melodies : Max.110dB ·WA-5 Alarms : Max.114dB			
	AC220V	220mA				·WV-5 Customizable voices: 108-113dB			

- Convenient lamp exchange by adopting a connector type lamp installation
- Flashing rate: 60-80 flashes/min, Ø125mm
- Ambient operating temperature: -30°C to +50°C

SED / SEDP Bulb Revolving Signal Beacon and Electronic Sounder Combination

Model number	Voltage	Current	Bulb			Sound pattern and volume	Certificates	Weight	Color
			Spec	Standard	Parts no				
SED SEDP	DC12V	3A	12V15W	G23 15S	17	·WS-5 Warning sounds : Max.114dB	CCS CE	·SED DC-3.17kg	● R-Red ● A-Amber ● G-Green ● B-Blue
	DC24V	2A	24V15W	G23 15S	18	·WP-5 Special warning sounds: Max.114dB			
	AC110V	450mA	12V15W	G23 15S	17	·WM-5 Melodies : Max.110dB ·WA-5 Alarms : Max.114dB			
	AC220V	230mA	12V15W	G23 15S	17	·WV-5 Customizable voices: 108-113dB			

- Revolving speed: 120-140RPM, Ø125mm
- Ambient operating temperature: -20°C to +50°C

※ CE compliant : DC24V

※ Max.built-in volume feature is based on WS, WP-Ch1 / WM-Ch4 / WA-Ch4

※ In case of customized WV 5 tone type, there may be difference of volume depending on user's audio file type.



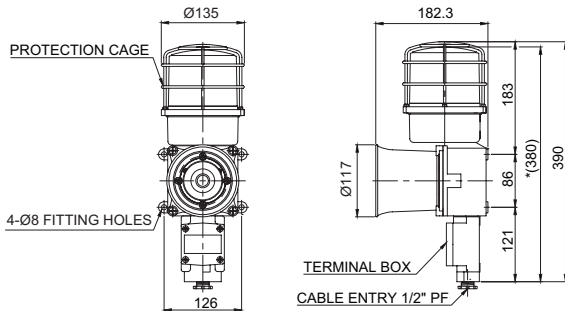
SED

SED / SD / SMD Series

Technical Diagram

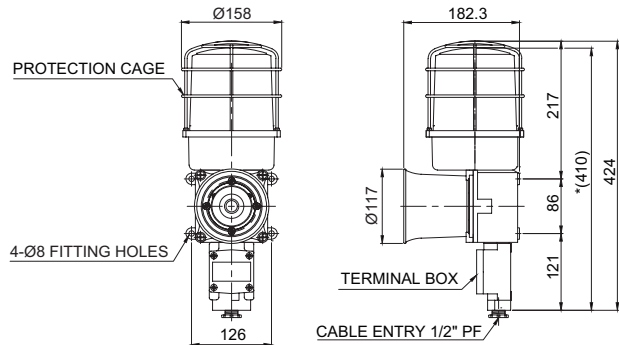
Units: mm

·SEDLRP / SEDLP / SEDSP / SEDP



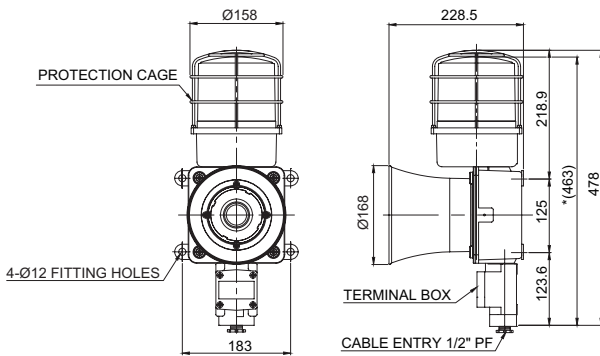
※ *(380) represents SED Series size without protection cage.

·SDLRP / SDLP / SDSP / SDP



※ *(410) represents SD Series size without protection cage.

·SMDLRP / SMDLP / SMDSP / SMDP



※ *(463) represents SMD Series size without protection cage.

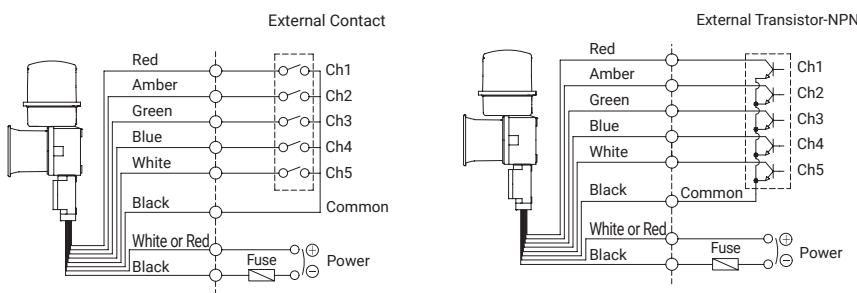
Customization

- Cable gland type
- Customized cable entry(3/4"PF) available(Standard : 1/2"PF)
- Customized external sound line type available : SED/SD/SMD Series have built-in switch for sound tone selection
- Customized wiring in case of external contact or transistor wiring type as sound tone selector (Model number : -LC)
- Brass housing : Brass housing for SD/ SMD Series are optionally provided which has excellent anti-corrosive properties
- ※ Color will be MUNSSELL No. 7.5BG 7/2 when released.

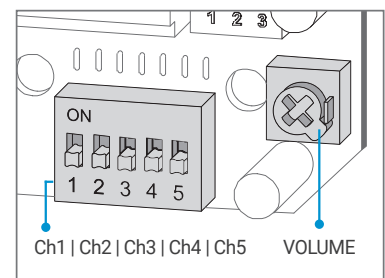
Sound Selection Instructions and Wiring

·SED / SD / SMD Series-DC/AC

- Customization: External contact(LC)



- Standard Type: Select sound using the switch inside of the unit. When you turn on the dip switch for each channel, the designated sound will be played.



Wiring Instructions

- SED, SEDLR, SD, SDLR, SMD, SMDLR - Black output line is negative(-).

Ordering Specification

SEDLR	-	WA	-	24	-	R
[Model number]		[Sound]		[Voltage]		[Color]
SEDLR / SEDLRP / SEDL / SEDLP SEDS / SEDSP / SED / SEDP SDLR / SDLRP / SDL / SDLP SDS / SDSP / SD / SDP SMDLR / SMDLRP / SMDL / SMDLP SMDS / SMDSP / SMD / SMDP		WS-Warning sounds WP-Special warning sounds WM-Melodies WA-Alarms WV-Customizable voices		12-DC12V 24-DC24V 110-AC110V 220-AC220V		● R-Red ● A-Amber ● G-Green ● B-Blue