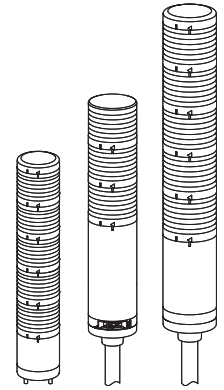
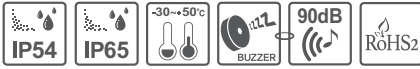


Ethernet LED Tower Light

QTG50(M)L/ QTG60(M)L/ QTG70(M)L-ETN



Thank you for purchasing Qlight's products. Please read this user manual carefully prior to installation and operation to ensure safe and correct use.

⚠ Precautions for Safety

Failure to follow the instructions below may cause a loss of life or serious physical injury.

1. During wiring or maintenance, please completely turn off the power of the product. (Failure to follow this may lead to an electric shock.)
2. Do not install the product in locations that subjects it to excessive dust or water other than the conditions designated by the IP protection ratings indicated for each product. (Failure to follow these instructions may cause a fire to the product, electric shock, physical injury, malfunction or damage to the product.)
3. Do not alter or repair this product. If maintenance or repair service is required, please contact your local Qlight contact point. (Failure to follow these instructions may lead to fire, electric shock, or product damage.)
4. Please apply the correct voltage to the product. (Failure to follow these instructions may lead to fire, electric shock, or product damage.)
5. When the product is applied to a condition that may impact lives or property, please make sure to have a double safety device. (Failure to follow this may cause damage to property, fire, electric shock and loss of life.)

⚠ Precautions for Correct Use

Failure to follow the proper instructions may cause damage to property, the product, or malfunction of the product that would void the warranty.

1. Please remove any objects that can interrupt ventilation around the product.
2. Please turn off the power of the product immediately if it fails to operate properly.
3. Carefully wire the product according to each product's specification.
4. Please be careful in preventing chemicals such as thinner, benzene, etc. in contact with the surface of the product.
5. Do not apply excessive force/impact to the product.
6. Failure to follow any of the instructions above may cause malfunction or damage to the product, fire, and electric shock.

Ordering Specifications

• QTG50(M)L-ETN

QTG50L-ETN-BZ	3	24	RAG	LW18
[Model number]	[Layer]	[Voltage]	[Color]	[Mounting option]
<ul style="list-style-type: none"> • QTG50L-ETN-BZ • QTG50ML-ETN-BZ • QTGA50L-ETN-BZ • QTGA50ML-ETN-BZ 	<ul style="list-style-type: none"> • Layer1-1 • Layer2-2 • Layer3-3 • Layer4-4 • Layer5-5 	<ul style="list-style-type: none"> • 12-DC12V • 24-DC24V • 110-AC110V • 220-AC220V 	<ul style="list-style-type: none"> R-Red A-Amber G-Green B-Blue W-White 	<ul style="list-style-type: none"> • (None) - Standard type • Mounting type - LB18 - LW18 - QZ18 - SZ18 - QL18 - SL18



Please scan the QR code for more detailed product information.

www.qlight.com

Ordering Specifications

• QTG60(M)L-ETN

QTG60L-ETN-BZ [Model number]	-	3 [Layer]	-	24 [Voltage]	-	RAG [Color]	-	LW18 [Mounting option]
<ul style="list-style-type: none"> • QTG60L-ETN-BZ • QTG60ML-ETN-BZ • QTGA60L-ETN-BZ • QTGA60ML-ETN-BZ 		<ul style="list-style-type: none"> • Layer1-1 • Layer2-2 • Layer3-3 • Layer4-4 • Layer5-5 		<ul style="list-style-type: none"> • 12-DC12V • 24-DC24V • 110-AC110V • 220-AC220V 		<ul style="list-style-type: none"> R-Red A-Amber G-Green B-Blue W-White 		<ul style="list-style-type: none"> • (None) - Standard type • Mounting type - LB18 - LW18 - QZ18 - SZ18 - QL18 - SL18

• QTG70(M)L-ETN

QTG70L-ETN-BZ [Model number]	-	3 [Layer]	-	24 [Voltage]	-	RAG [Color]	-	LW24 [Mounting option]
<ul style="list-style-type: none"> • QTG70L-ETN-BZ • QTG70ML-ETN-BZ • QTGA70L-ETN-BZ • QTGA70ML-ETN-BZ 		<ul style="list-style-type: none"> • Layer1-1 • Layer2-2 • Layer3-3 • Layer4-4 • Layer5-5 		<ul style="list-style-type: none"> • 12-DC12V • 24-DC24V • 110-AC110V • 220-AC220V 		<ul style="list-style-type: none"> R-Red A-Amber G-Green B-Blue W-White 		<ul style="list-style-type: none"> • (None) - Standard type • Mounting type - LB24 - LW24 - QZ24 - SZ24 - QL24 - SL24

Product Specifications

• QTG50(M)L-ETN

Model number	Layer	Voltage	Certificate	Color
QTG50(M)L-ETN-BZ QTGA50(M)L-ETN-BZ (BZ: 5 Tone Buzzer)	1	DC12V DC24V AC110V AC220V	CE	R-Red
	2	DC12V DC24V AC110V AC220V		R-Red G-Green
	3	DC12V DC24V AC110V AC220V		R-Red A-Amber G-Green
	4	DC12V DC24V AC110V AC220V		R-Red A-Amber G-Green B-Blue
	5	DC12V DC24V AC110V AC220V		R-Red A-Amber G-Green B-Blue W-White

Light source/buzzer current(based on 1 layer)				
Voltage condition	DC12V	DC24V	AC110V	AC220V
Light source current (1 layer)	265mA	285mA	Max.70mA	Max.50mA
Buzzer current	215mA	245mA	Max.55mA	Max.35mA

• QTG60(M)L-ETN

Model number	Layer	Voltage	Certificate	Color
QTG60(M)L-ETN-BZ QTGA60(M)L-ETN-BZ (BZ: 5 Tone Buzzer)	1	DC12V DC24V AC110V AC220V	CE	R-Red
	2	DC12V DC24V AC110V AC220V		R-Red G-Green
	3	DC12V DC24V AC110V AC220V		R-Red A-Amber G-Green
	4	DC12V DC24V AC110V AC220V		R-Red A-Amber G-Green B-Blue
	5	DC12V DC24V AC110V AC220V		R-Red A-Amber G-Green B-Blue W-White

Light source/buzzer current(based on 1 layer)				
Voltage condition	DC12V	DC24V	AC110V	AC220V
Light source current (1 layer)	285mA	300mA	Max.75mA	Max.45mA
Buzzer current	215mA	245mA	Max.55mA	Max.35mA

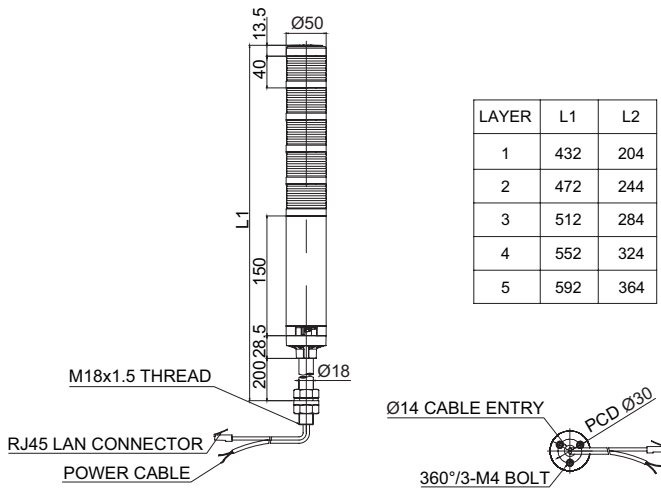
• QTG70(M)L-ETN

Model number	Layer	Voltage	Certificate	Color
QTG70(M)L-ETN-BZ QTGA70(M)L-ETN-BZ (BZ: 5 Tone Buzzer)	1	DC12V DC24V AC110V AC220V	CE	R-Red
	2	DC12V DC24V AC110V AC220V		R-Red G-Green
	3	DC12V DC24V AC110V AC220V		R-Red A-Amber G-Green
	4	DC12V DC24V AC110V AC220V		R-Red A-Amber G-Green B-Blue
	5	DC12V DC24V AC110V AC220V		R-Red A-Amber G-Green B-Blue W-White

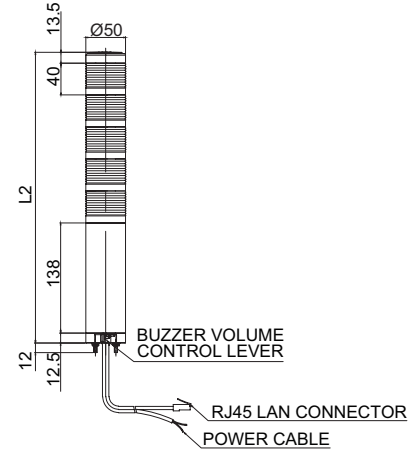
Light source/buzzer current(based on 1 layer)				
Voltage condition	DC12V	DC24V	AC110V	AC220V
Light source current (1 layer)	285mA	300mA	Max.60mA	Max.45mA
Buzzer current	215mA	245mA	Max.85mA	Max.35mA

• LED Module Standard Operation : 2 layers will operate at the same time

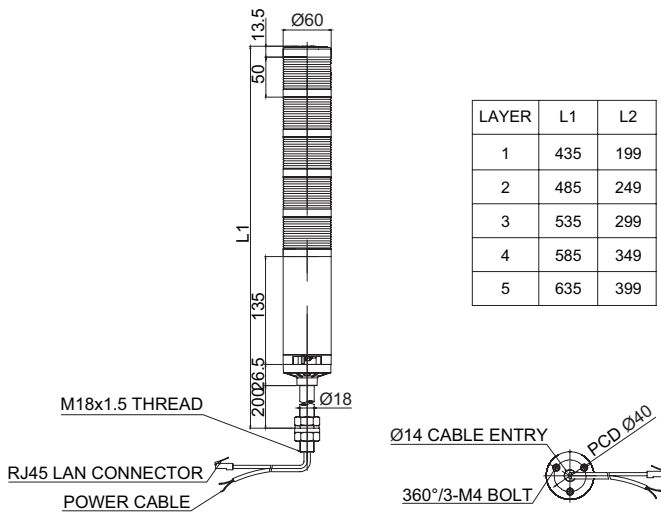
QTG(A)50L-ETN-BZ



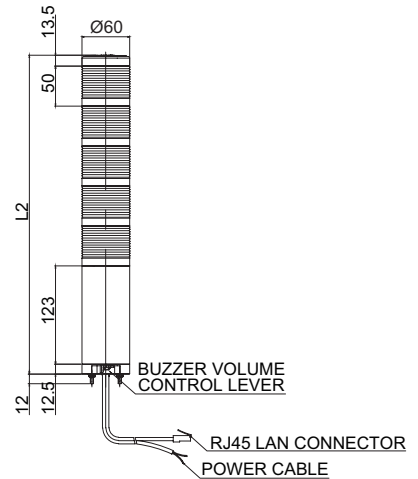
QTG(A)50ML-ETN-BZ



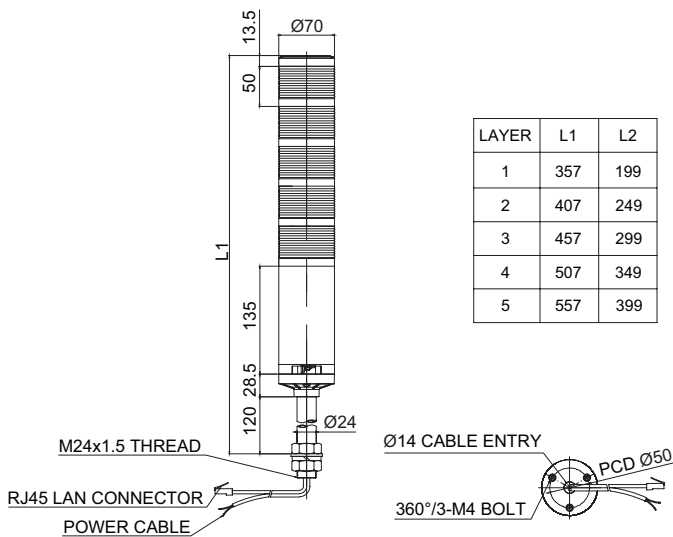
QTG(A)60L-ETN-BZ



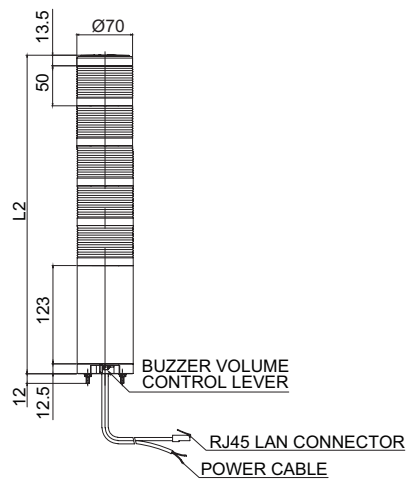
QTG(A)60ML-ETN-BZ



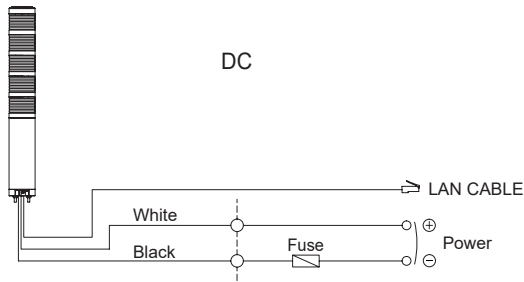
QTG(A)70L-ETN-BZ



QTG(A)70ML-ETN-BZ

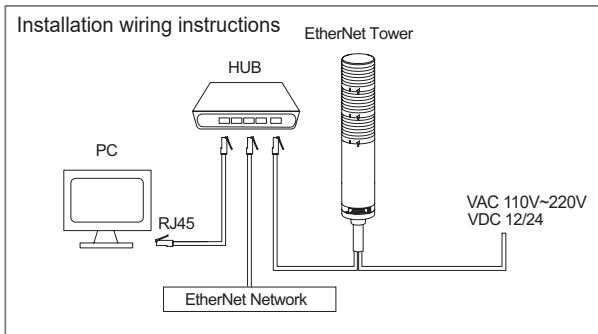


Wiring Instructions



- Connect RJ45 connector that is connected to UTP cable to Ethernet port of a PC or a router.
- External power line - UL1015 AWG18(0.75sq) x 2C 400mm
- For AC type, power cable is equipped with the product.
- UTP Cable: Category 5 cable

Product Installation



■ Test Ethernet LED Tower Light

1. Please connect LAN cable of the tower light to the router so that the tower light can access Ethernet network by referring left diagram.
2. Please be sure that the power supply shall meet the product specification accordingly.

Applying the Ethernet Device

1. Please activate default PC network only. Please run Windows CMD(Command line) of PC over the same network in order to confirm network information where the Ethernet product will be connected.

Example) Windows 7 : Start(Run)->CMD->ipconfig /all

Windows 10 : Start menu-> Click right mouse button->CMD->ipconfig /all

- Please refer to below network information when the Ethernet product's network environment is configured.

Ethernet adapter Local Area Connection:

```

Connection-specific DNS Suffix . :
IP Address . . . . . : 192.168.10.101
Subnet Mask . . . . . : 255.255.255.0
Default Gateway . . . . . : 192.168.10.1
    
```

2. Because the ETN tower light is connected to a hub with the PC that is same as the picture on the front page, ETN tower light and the PC are now connected with the same network.
3. Please download the product manual, library file and test program from Qlight website(www.qlight.com) or blog.qlight.com

Download

PDF Catalogue

Operating Manual

Test Program

Manual & Library

1.Dev. ETN Program Sample

Program Sample needed when developing (x32bit/x64bit compatibility)

2.How to use

Instructions of how to use the product and library file

4. When you unzip the file, there will be a file with the same name below. The instructions are listed inside the file.

5. When you unzip "ETN TEST PROGRAM.zip" file, following folders are created.

1.ETN Test Program

A program for setting IP before testing the ETN device

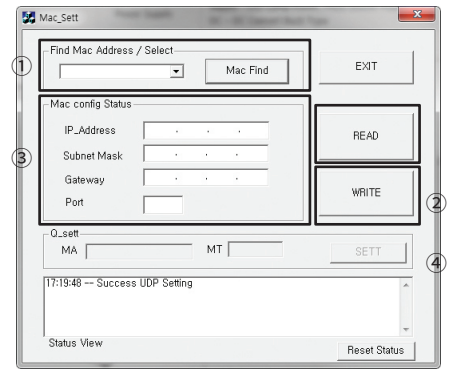
2.IP Set Program

A program for setting testing the ETN device

Applying the Ethernet Device

6. Run the "Mac_Setting.exe" program that is inside the IP Set Program Folder .

- ① When the program is running such as the right figure, click the "Mac Find" button in the "Find Mac Address / Select" section
 - MAC Address of the connected device appears when you click the Device List combo box. (If the Mac Addr does not appear, make sure that the connection status or the power supply is functional and then retry.)
- ② Select the MAC Addr of the device you want to change, and then click on the "Read" button.
- ③ Check the information and settings from the "Mac config status"
- ④ Set the value of users network information identified in the previous chapter (subnet mask, gateway) in each text box, and set a different IP_Addr than your PC
Apply the settings by pressing the Write button
 - The port is set to "20000"by default and the port number can be changed if necessary
 - Reconnect After Disconnecting the power from the tower light.



7. ETN Test Program Files folder includes the followings.

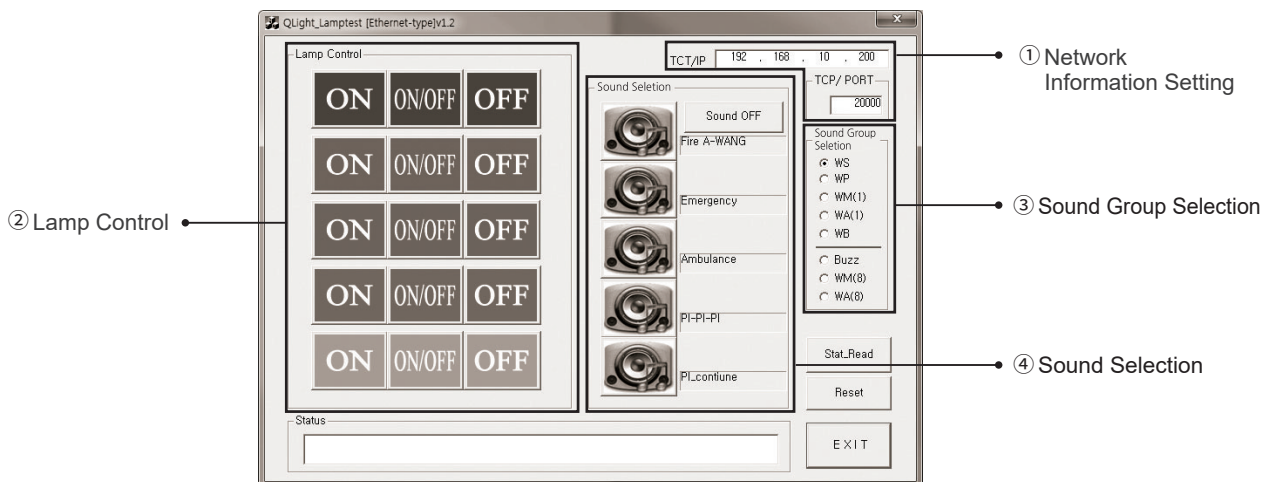
 **QLight_Lamptest_TCP.exe**
Test Program

 **QTvc_dll.dll**
Library required for the test program

8. Run the "QLight_Lamptest_TCP" program.

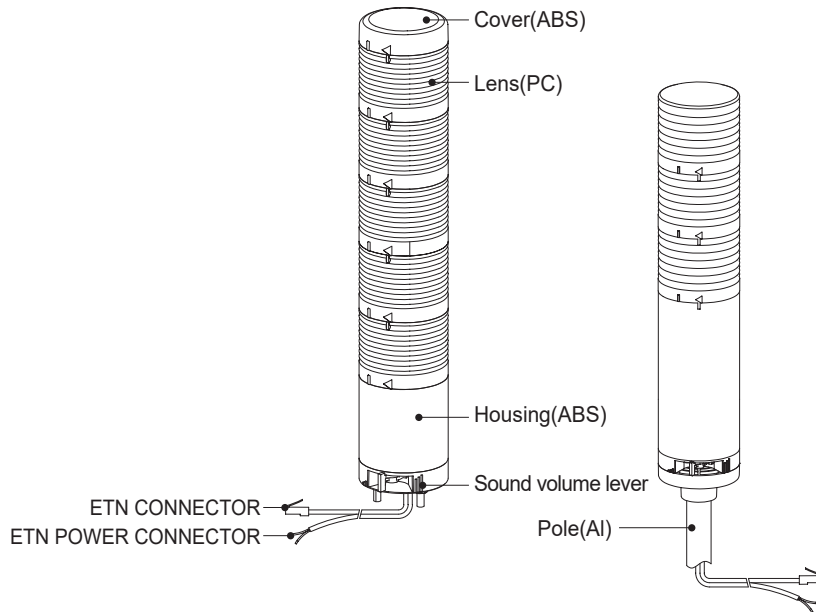
Article	Detailed specification
① Network information setting	- Input port on TCP/PORT and IP address on TCP/IP that set on Ethernet tower lights
② Lamp control	- ON : Click the button Lamp ON - ON/OFF : Click the button Lamp Flash - OFF : Click the button Lamp OFF
③ Sound group selection	- WS : 5 warning sounds(mono) - WP : 5 special warning sounds(mono) - WM(1) : 5 Melodies(mono) - WA(1) : 5 alarms(mono) - WB : Software Buzzer 5 sounds(speaker type) - Buzzer : 5 Buzzer sounds
④ Sound selection	- Select 5 sounds based on model which is fixed on Ordering Specifications

- User can select appropriate sound pattern by referring Ordering Specifications. There're WS, WM, and WA sound patterns and user can choose the option when placing order.

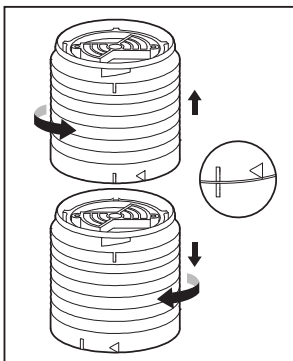


- Fill TCP/IP and TCP/PORT (① Network Information Setting) with IP address and port that has been setted in ethernet tower light.
- When click LAMP ON, correspond lamp turns on.
- When click LAMP OFF, correspond lamp turns off.
- Please choose appropriate sound pattern group by referring ③ Sound Group Selection area.
- You can choose sound pattern by referring ④ Sound Selection.
- Tower lamp plays sound when SOUND button is pressed.
- Tower lamp stops sound when SOUND OFF button is pressed.

Parts Definition

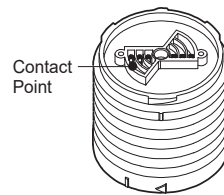


How to Change Lens Kit

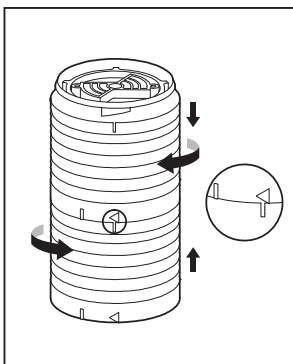


- Disassembling lens kits
- ① Twist the upper lens kit in a counter-wise direction so the "I" mark from both kits align.
- ② Disassemble by removing the upper lens kit from the lower one.

※Cautions



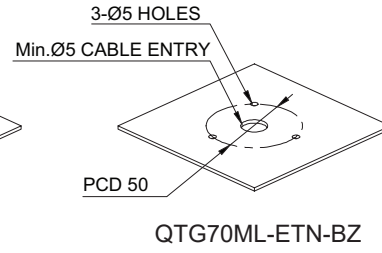
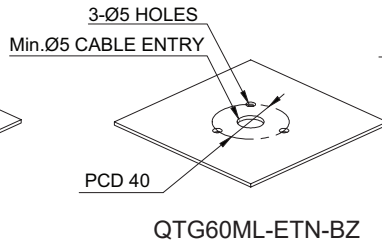
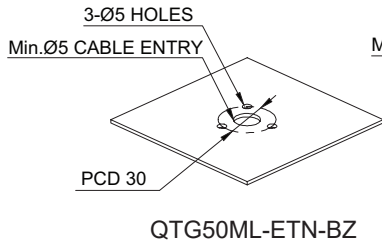
Lens modules are connected through cone-shaped contact point. In case the contact point is damaged, it may cause a contact failure.



- Assembling lens kits
- ① Put the two lens kits together by aligning the upper lens' "I" mark and the lower lens' "I" mark together.
- ② Lock the two kits by twisting the upper lens kit in a counter-wise direction so the upper lens' "◁" mark aligns with the lower lens' "I" mark.

Mounting Hole Specifications

① Machine holes on the mounting surface referring to the diagram below.



② Remove the flange nuts from bolts and place the product through the mounting surface holes.

③ Fasten the flange nuts on the opposite side of the mounting surface until the product is tightened securely.

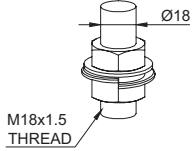
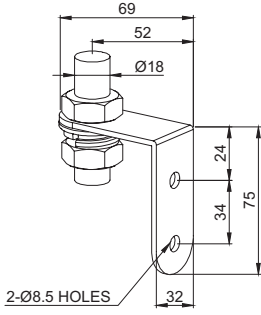
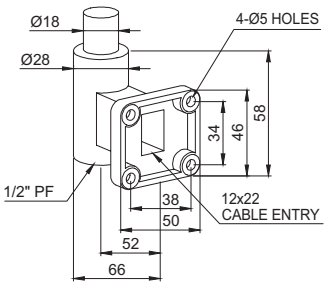
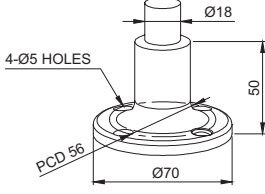
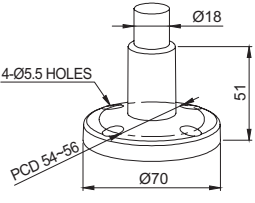
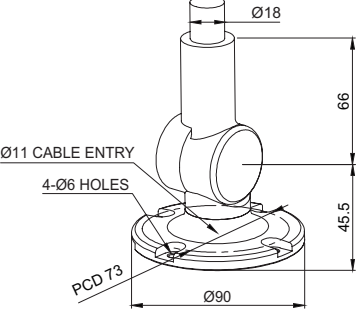
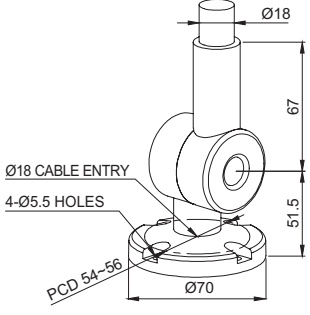
Mounting Accessories (Sold Separately)

• Please refer to the dimensions below for installation of mounting brackets

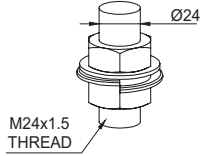
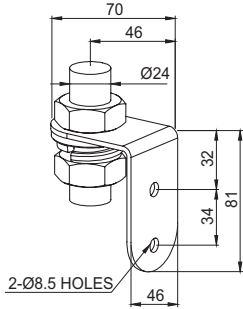
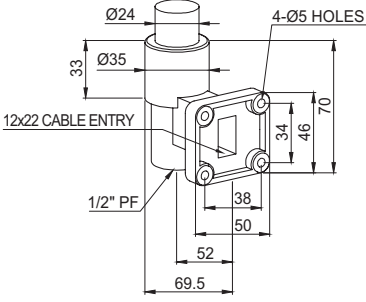
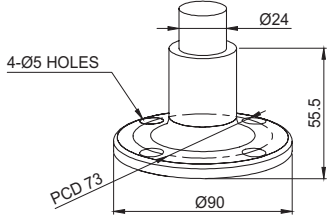
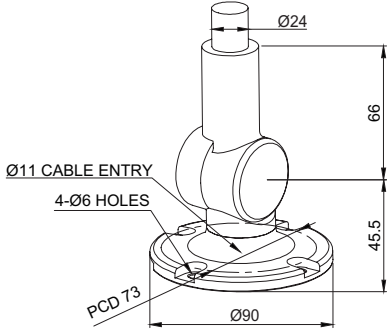
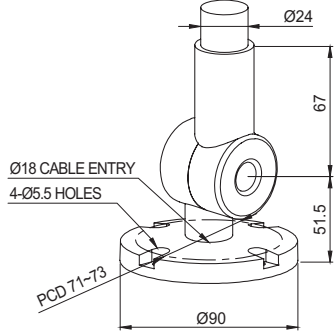
■QTG50ML-ETN/QTG60ML-ETN/QTG70ML-ETN -Direct Mounting Type Model

	Dimensions	
QTG50ML-ETN QTG60ML-ETN	<p>TWS45</p>	<p>TWA45</p>
QTG70ML-ETN	<p>TWS80</p>	<p>TWA80</p>

■ QTG50L-ETN/ QTG60L-ETN - Pole Mounting Type Model

		Dimensions	
<p>QTG50L-ETN QTG60L-ETN</p>	 <p>M18x1.5 THREAD</p> <p>18mm SCREW & NUT</p>	 <p>LB18</p>	
	 <p>LW18</p>	 <p>SZ18</p>	
	 <p>QZ18</p>	 <p>SL18</p>	
	 <p>QL18</p>		

■ QTG70L-ETN - Pole Mounting Type Model

		Dimensions	
QTG70L-ETN	 <p>M24x1.5 THREAD</p> <p>Ø24</p>	 <p>70</p> <p>46</p> <p>Ø24</p> <p>Ø8.5 HOLES</p> <p>34</p> <p>46</p> <p>81</p>	<p>24mm SCREW & NUT</p> <p>LB24</p>
	 <p>Ø24</p> <p>4-Ø5 HOLES</p> <p>33</p> <p>Ø35</p> <p>12x22 CABLE ENTRY</p> <p>1/2" PF</p> <p>34</p> <p>46</p> <p>38</p> <p>50</p> <p>52</p> <p>69.5</p>	 <p>Ø24</p> <p>4-Ø5 HOLES</p> <p>55.5</p> <p>PCD 73</p> <p>Ø90</p>	<p>LW24</p> <p>SZ24</p>
	 <p>Ø24</p> <p>4-Ø5.5 HOLES</p> <p>55</p> <p>PCD 54-56</p> <p>Ø70</p>	 <p>Ø24</p> <p>Ø11 CABLE ENTRY</p> <p>4-Ø6 HOLES</p> <p>45.5</p> <p>PCD 73</p> <p>Ø90</p>	<p>QZ24</p> <p>SL24</p>
	 <p>Ø24</p> <p>Ø18 CABLE ENTRY</p> <p>4-Ø5.5 HOLES</p> <p>51.5</p> <p>PCD 71-73</p> <p>Ø90</p>		<p>QL24</p>

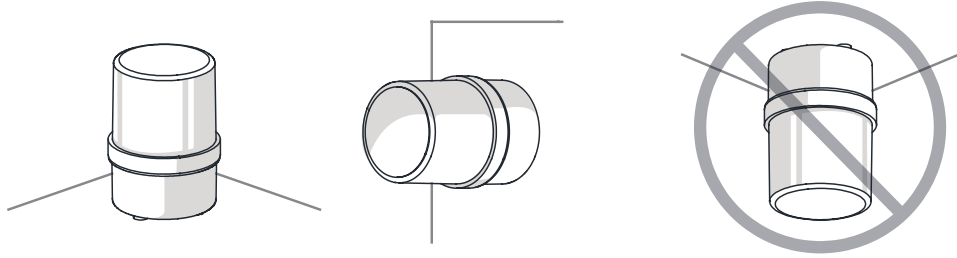
Product installation direction

- Install the product in accordance with the manual. Otherwise rainwater or moisture may penetrate into the product.

· BEACON/SIGNALING LIGHT

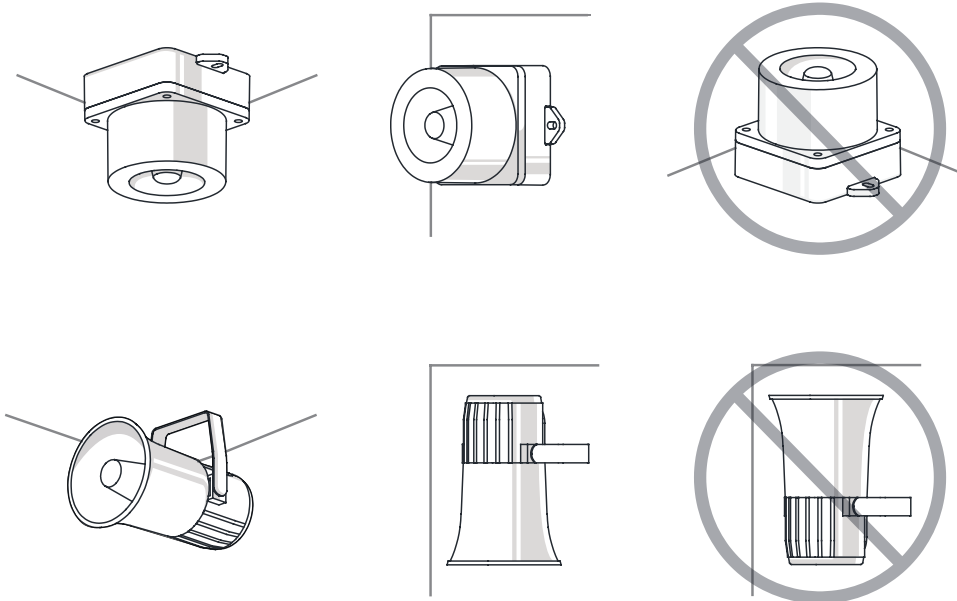
※ For products with a protection rating of less than IPX4, please install it vertically.

Power cord inlet part shall not be facing the sky.



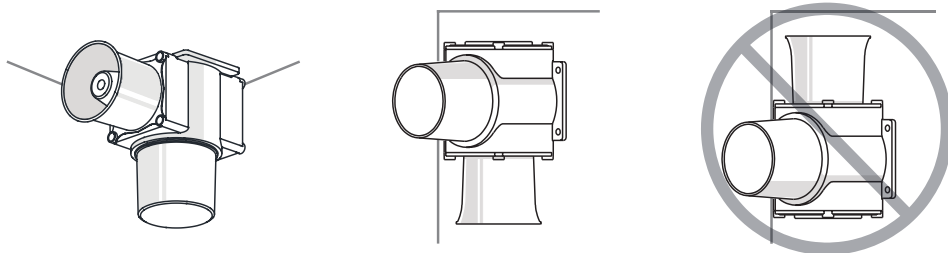
· ELECTRONIC SOUNDER/SIGNAL HORN

Sounder part shall not be facing the sky.



· HEAVY-DUTY & EXPLOSION PROOF SIGNALINGS

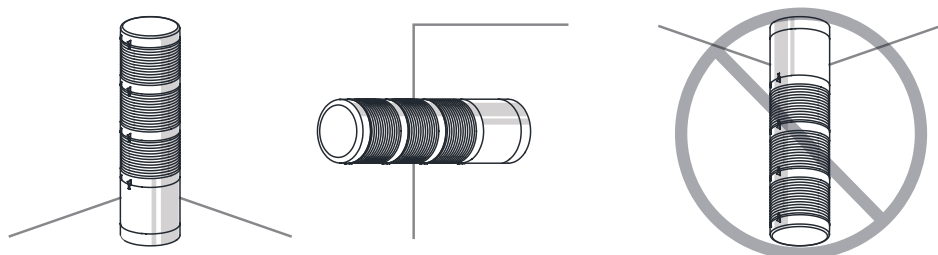
Sounder part shall not be facing the sky.

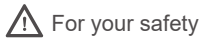


· SIGNAL TOWER LIGHTS

※ For products with a protection rating of less than IPX4, please install it vertically.

Power cord inlet part shall not be facing the sky.





For your safety

Specification and dimensions listed in this catalogue subject to change without notice for product quality improvement.
The newest product information is available on our website.(www.qlight.com)
Please read the instruction manual attached to the product carefully before installation and use.

Korea Corporation Qlight Co., Ltd. www.qlight.com | trade@qlight.com

Head Office | Suite #1510, STX-V Tower, 128 Gasan Digital 1-ro, Geumcheon-gu, Seoul, 08507, South Korea

Tel: +82-2-2679-6152 Fax: +82-2-2679-6154

Factory(Gimhae Production Headquarters) | 185-25, Mukbang-ro, Sangdong-myeon, Gimhae-si, Gyeongsangnam-do, 50805, South Korea

Tel: +82-55-328-1111

Overseas Sales Department | Qlight Building, 704 Nakdong-daero, Sasang-gu, Busan 47044, South Korea Tel: +82-51-620-4100

Busan Business Center | Qlight Building, 704 Nakdong-daero, Sasang-gu, Busan 47044, South Korea Tel: +82-51-245-0017

China Corporation SHANGHAI Qlight Electronic Co., Ltd. www.qlight.com www.qlightcn.com | qlightcn@qlight.com

Sales Corporation (Shanghai) | Room 333 Building B, No.11, Lane 450, Zhenda Road, Baoshan District, Shanghai, China

Tel: +86-21-6651-7100 Fax: +86-21-6315-3929

Manufacturing Corporation (Qidong) | No.33, Haiyan Road, Qidong High-tech Industrial Development Zone, Qidong, Jiangsu Province, China

Tel: +86-513-8384-9999 Fax: +86-513-8384-9910

Qlightec

Innovation in Alarm & Signal

Product Operation Inquiry / Customer Support +82-51-620-4100

You can expect prompt service if you have exact information such as model name, symptom, telephone number and address.

※ ALL PRODUCT, PRODUCT SPECIFICATIONS AND DATA ARE SUBJECT TO CHANGE WITHOUT NOTICE TO IMPROVE RELIABILITY, FUNCTION OR DESIGN OR OTHERWISE.

Head office : Suite #1510, STX-V Tower, 128 Gasan digital 1-ro, Geumcheon-gu, Seoul, Korea (Postal Code : 08507)

Factory : 185-25, Mukbang-Ro, Sangdong-Myeon, Gimhae-Si, Gyeongsangnam-Do, Korea (Postal Code : 50805)

www.qlight.com

EN - QTG50L-ETN - 2603A