



MWTL

### PRODUCT SPECIFICATION

MWTL

**Materials** Lens-PC, Cover-ABS, Housing-ABS

**Ambient operating temperature** -30°C to + 50°C

**Volume** Max.90dB at 1m

**Protection rating** IP55

**Standard color arrangements**

● Red-R ● Amber-A ● Green-G ● Blue-B

**Flashing rate** 60-80/min

- Wall mount model that minimizes the chance of damage from moving obstacles or personnel
- LED light distribution structure that directly radiates light to the user provides excellent visibility
- Can be used outdoors with tightly sealed structure
- Standard model and built-in buzzer model can be used by selecting the specifications suitable for the operating environment.

### MWTL Wall Mount, LED Steady/Flashing

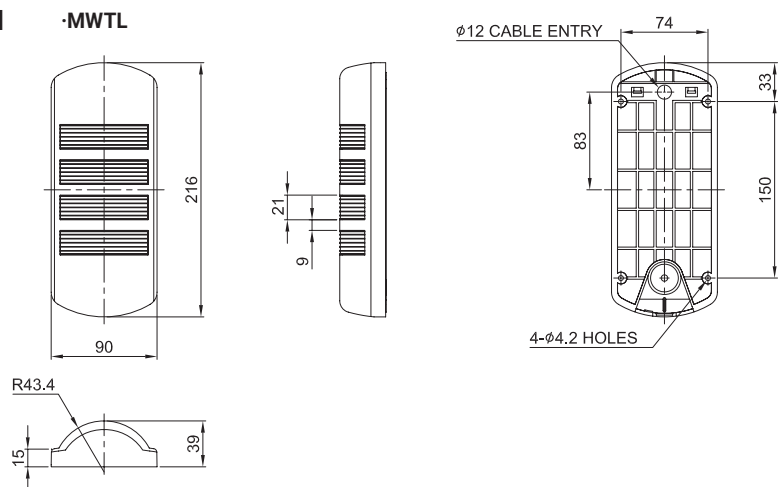
Model number	Layers	Voltage	Certificates	Weight	Color
MWTL Steady					
MWTL-BZ Steady w/built-in buzzer			CE		● R-Red ● A-Amber ● G-Green ● B-Blue
MWTLF Steady/Flashing	4	DC24V	UL	0.29kg	
MWTLF-BZ Steady/Flashing w/ built-in buzzer					

### Light source/buzzer current(based on 1 layer)

Voltage	DC24V
Light source current(1 layer)	55mA
Buzzer current	60mA

### Technical Diagram

Units : mm



### Ordering Specification

MWTL	-	4	-	24	-	RAGB
[Model number]		[Layers]		[Voltage]		[Color]
MWTL MWTLF MWTL-BZ MWTLF-BZ		4-4 Layers		24-DC24V		● R-Red ● A-Amber ● G-Green ● B-Blue