

QTA56L



QTA56L

PRODUCT SPECIFICATION

QTA56L

Materials Lens-PC, Housing-Al, bracket-Al
Ambient operating temperature -30°C to +60°C
Volume Max.85dB at 1m
Protection rating
 Standard type-IP44, Built-in buzzer type-IP23

- High brightness LED with hexagon type mounting pole
- Elegant design with hexagon shaped metal housing
- Aluminum housing provides excellent durability
- Folding type mount bracket can be utilized in various environments
- Standard model and built-in buzzer model can be used by selecting the specifications suitable for the operating environment.
- M12 connector type is optionally available(Female M12 connector is not provided)

QTA56L LED Steady Tower Lights

Model number	Layers	Voltage	Certificates	Weight	Color
QTA56L Steady			CE	0.45kg	● R-Red ● A-Amber ● G-Green
QTA56L-BZ Steady w/ built-in buzzer	3	DC24V	UL	0.48kg	

Built-in buzzer output holes formed on the housing of the product

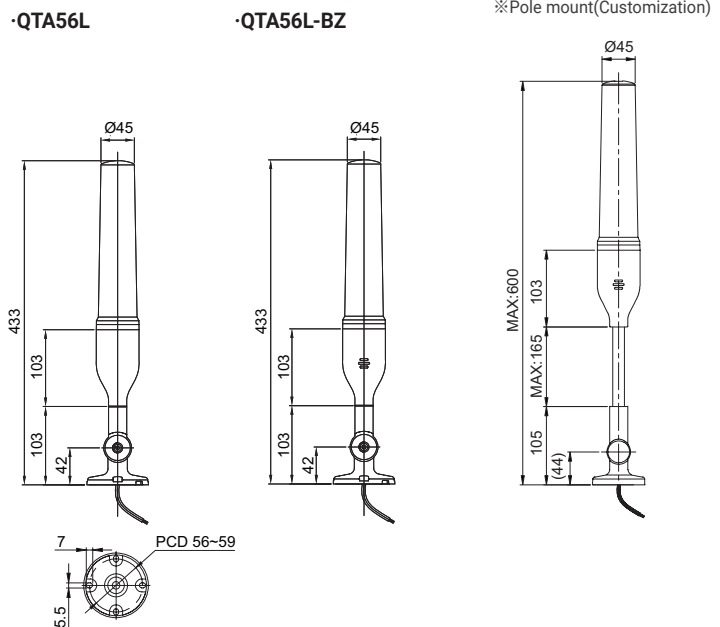


Light source/buzzer current(based on 1 layer)

Voltage	DC24V
Light source current(1 layer)	45mA
Buzzer current	75mA

Technical Diagram

Units : mm



Customization

- Pole mount
- M12 connector attached type

Ordering Specification

QTA56L	-	3	-	24	-	RAG
[Model number]		[Layers]		[Voltage]		[Color]
QTA56L QTA56L-BZ		3-3 Layers		24-DC24V		● R-Red ● A-Amber ● G-Green

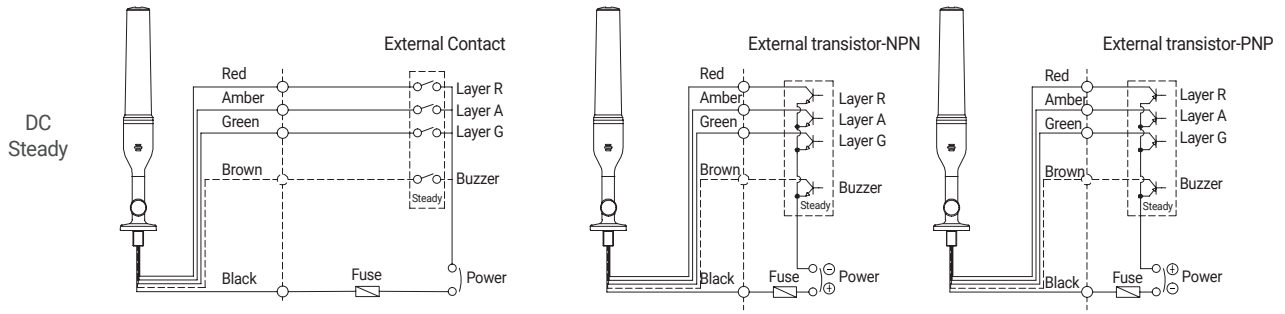


Wiring Instructions

- QTA56L can be wired by using both External Contact and transistor
- In case of wiring by transistor, please make sure if it is NPN type or PNP type. Please carefully follow wiring instructions below
- Product can be wired regardless of polarity.

External Contact	Transistor
------------------	------------

·QTA56L



- External power line/External signal line - UL1007 AWG22(0.3sq) 400mm