

Non-Sparking Explosion Proof LED Work Light

QMFL300-Ex-24



QMFL300-Ex-24

PRODUCT SPECIFICATION

QMFL300-Ex-24

Materials Housing-Al, Side cover-Al,
 Lens-Tempered glass, Bracket-SPC-1
Ambient operating temperature $-40^{\circ}\text{C} \leq T_{\text{amb}} \leq +60^{\circ}\text{C}$
Protection rating KCs - Ex nR II T6
 NEPSI - Ex nR IIC T6 Gc, IP66/IP67/IP69K
Certificates KCs, NEPSI, CCC

- Water, vibration and oil resistant LED work lights with non-sparking ex-proof feature
- Special epoxy sealed structure provides excellent oil resistance
- Aluminum housing and tempered glass improves durability and stability in hazardous areas(Explosive zone)
- Can be used for Zone 2 application with explosion proof rating of nR

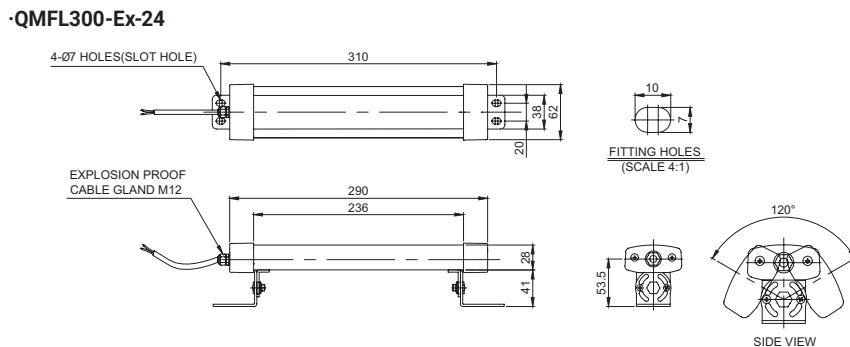
QMFL300-Ex-24 Non-Sparking Explosion Proof LED Work Light

Optics Specifications	
Model number	QMFL300-Ex-24
Lens color	Translucent
Light color	Cooldaylight
Color temperature	6,000-7,000K
Luminous flux	DC 600lm
Illumination(at 1m)	DC 260Lux

Specifications	
Model number	QMFL300-Ex-24
Voltage	DC24V
Range for operation voltage	DC21.5V-26.5V
Power consumption	10W
Insulation resistance	Min. 100MΩ(500V DC mega ohm meter)
Withstanding voltage	DC: 500VAC, 60Hz, 1 minute
Operating temperature	-40°C to $+60^{\circ}\text{C}$
Protection rating	IP66/IP67/IP69K
Materials	Housing-Al, Side cover-Al, Lens-Tempered glass, Bracket-SPC-1
Certification	
Weight(Approx.)	0.79kg

Technical Diagram

Units: mm



Ordering Specification

QMFL	-	300	-	Ex	-	24	-	KCs
[Model number]		[Product length]		[Ex-proof]		[Voltage]		[Certificates]
QMFL-Anti glare type		300-290mm		Ex-Non-sparking ex-proof type		24-DC24V		KCs CCC(NEPSI)

Cautions in use

Contact structure of an explosion proof product must be a qualified part we provide. Please do not disassemble, assemble, modify or repair arbitrarily.