

QWT Series



QWT Series

PRODUCT SPECIFICATION

QWT

Materials Lens-PC, Housing-ABS

Ambient operating temperature $-30^{\circ}\text{C} \leq T_{\text{as}} \leq +50^{\circ}\text{C}$

Volume Max.85dB at 1m

Protection rating IP54

Flashing rate 60-80/min

Compliant with RoHS directive

- Wall mount model that minimizes the chance of breakage from moving obstacles
- The use of a circular lens design for the product improves visibility at the sides
- LED light distribution structure that directly radiates light to the user provides excellent visibility
- Standard model and built-in buzzer model can be used by selecting the specifications suitable for the operating environment.

QWT Wall Mount, LED Steady/Flashing

Model number	Layers	Voltage	Certificates	Weight	Color	
QWT	1	DC12V		0.34kg	● R-Red	
		DC24V		0.34kg		
		AC110V-220V		0.36kg		
QWTL Steady	2	DC12V		0.41kg	● R-Red ● G-Green	
		DC24V		0.41kg		
QWTL-BZ Steady w/built-in buzzer	2	DC12V		0.41kg	● R-Red ● G-Green	
		DC24V		0.43kg		
QWTLF Steady/Flashing	3	DC12V	CE	0.48kg	● R-Red ● A-Amber ● G-Green	
		DC24V		0.48kg		
		AC110V-220V		0.50kg		
QWTLF-BZ Steady/Flashing w/built-in buzzer	3	DC12V	UL	0.48kg	● R-Red ● A-Amber ● G-Green ● B-Blue	
		DC24V		0.48kg		
		AC110V-220V		0.50kg		
QWT	4	DC12V		0.55kg	● R-Red ● A-Amber ● G-Green ● B-Blue ○ W-White	
		DC24V		0.55kg		
		AC110V-220V		0.57kg		
		5		DC12V		0.62kg
				DC24V		0.62kg
AC110V-220V	0.64kg					

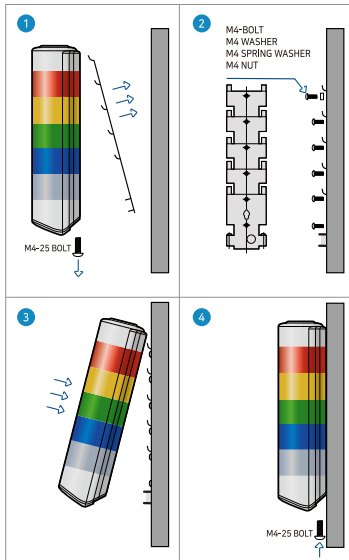
※ AC type model has a free-voltage range of 100V-240V.

※ CE Compliant: DC24V, UL Listed: DC24V

Light source/buzzer current(based on 1 layer)

Voltage	DC12V	DC24V	AC110V-220V
Light source current(1 layer)	75mA	50mA	Max.30mA
Buzzer current	50mA	115mA	Max.15mA

Mount bracket



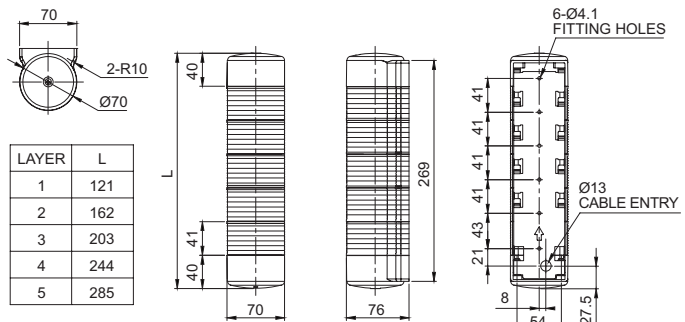
- Loosen the two M4 bolts on the bottom of the bracket and remove the body
- Attach the bracket to the wall with screws into the mounting holes
- Hang the unit onto the bracket
- After attaching the unit to the bracket, secure the two pieces together with the M4 bolts at the bottom of the product

Customization

- Color combination except for standard

Technical Diagram

Units : mm

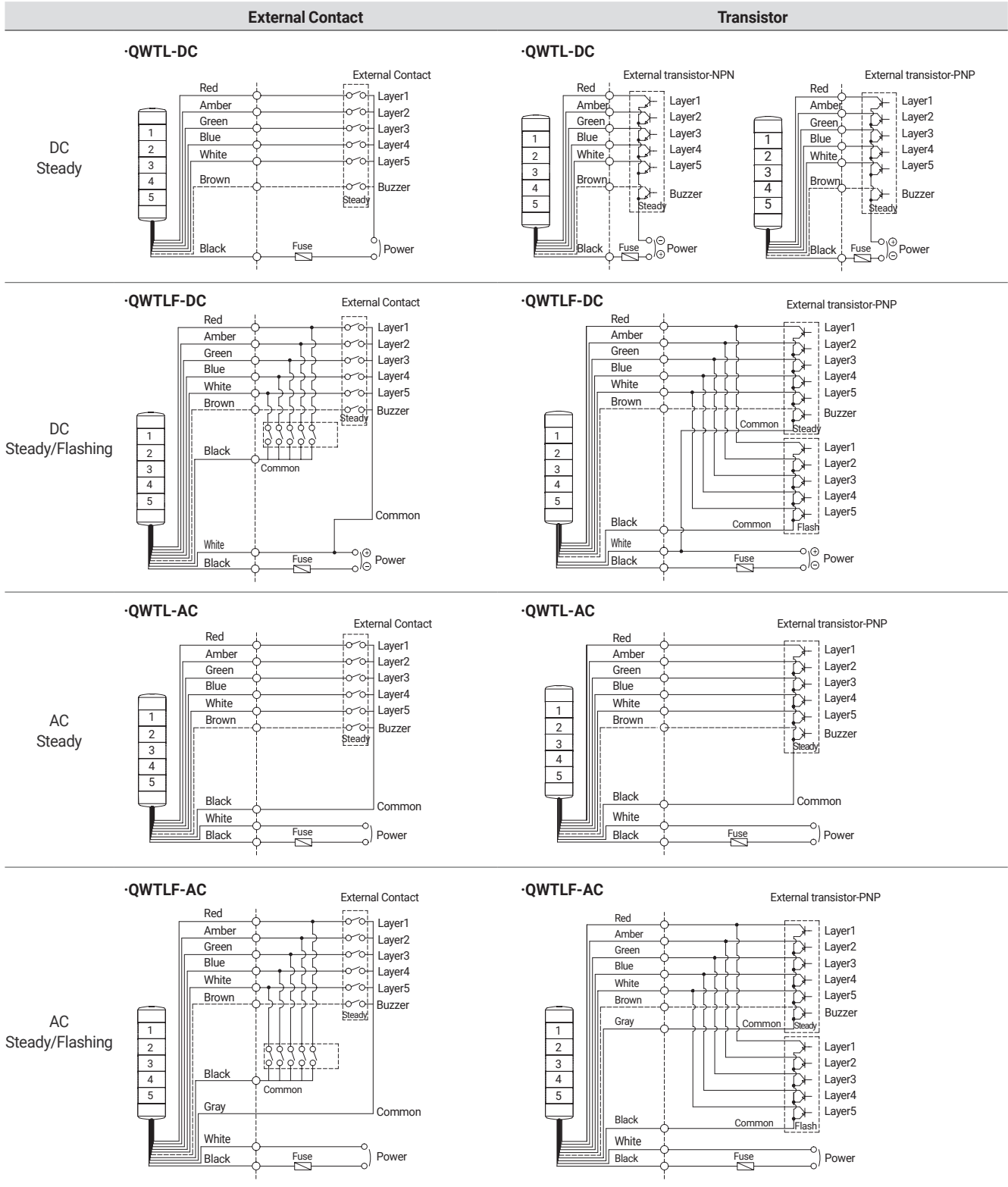


Ordering Specifications

QWTL	-	3	-	110/220	-	RAG
[Model number]		[Layers]		[Voltage]		[Color]
QWTL		1-1 Layers		12-DC12V		● R-Red
QWTL-BZ		2-2 Layers		24-DC24V		● A-Amber
QWTLF		3-3 Layers		110/220		● G-Green
QWTLF-BZ		4-4 Layers		-AC110V-220V		● B-Blue
		5-5 Layers				○ W-White

Wiring Instructions

- QWT Series can be wired by using both External Contact and transistor.
- In case of wiring by transistor, please make sure if it is NPN type or PNP type. Please carefully follow wiring instructions below.
- Product can be wired regardless of polarity.



- DC steady type cable specification: External power line/External signal line UL1007 AWG22(0.3sq) 400mm
- AC steady, AC/DC steady/flashing type cable specification: External power line UL1015 AWG18(0.75sq) x 2C 400mm
External signal line UL1007 AWG22(0.3sq) 400mm