

# SNES Series

Siren buzzer sound output of Max.105dB



SNESLR



SNESL

## PRODUCT SPECIFICATION

SNESLR | SNESL  
SNES-S | SNES

**Materials** Lens-Tempered glass, Filter-PC, Housing-Al, Protection cage-ST316L, Reflector-PC, Reflector-Heat resistant ABS, Bracket-ST316L

**Ambient operating temperature**

-40°C ≤ Tamb ≤ +60°C

-40°C ≤ Tamb ≤ +55°C(KCs)

-20°C ≤ Tamb ≤ +55°C(TIIS)

**Sound volume** Siren buzzer, Max.105dB at 1m

**Explosion protection rating**

IECEX - Ex db IIC T6 Gb, Ex db op is IIC T6 Gb (with LED)

ATEX - Ex db IIC T6 Gb, Ex db op is IIC T6 Gb (with LED)

NEPSI, CCC, CCS - Ex db IIC T6 Gb, IP66

KCs - Ex d IIB+H2 T6 IP66

TIIS - Ex d IIC T6 Gb, IP66

**Certificates**

IECEX, ATEX, NEPSI, CCC, KCs, CCS, CCC(F), TIIS

**Cable entry** 1/2" NPT

**Housing standard color** MUNSELL No. 7.5BG 7/2

- Light weight and compact explosion proof signal beacon with a siren buzzer
- A variety of light source selections from bulb, LED, and xenon lamp
- Aluminum housing provides excellent durability
- Fully enclosed structure with protection rating of IP66
- Integrated housing and terminal box model

※ Usable voltage AC120V: AC110V-120V, AC230V: AC220V-230V

### SNESLR Explosion Proof LED Revolving Signal Beacon with Siren Buzzer

Model number	Voltage	Current	Sound pattern and volume	Certificates	Weight	Color
SNESLR	DC12V	370mA	· Warning sound(Buzzer) : Max.105dB		3.60kg	<ul style="list-style-type: none"> <li>● R-Red</li> <li>● A-Amber</li> <li>● G-Green</li> <li>● B-Blue</li> </ul>
	DC24V	370mA			3.60kg	
	AC120V	95mA			4.30kg	
	AC230V	50mA			4.30kg	

- Excellent omni-directional visibility with LED light collecting system and special multifaceted reflector
- Revolving speed: 120-140RPM

### SNESL Explosion Proof LED Steady/Flashing Signal Beacon with Siren Buzzer

Model number	Voltage	Current	Sound pattern and volume	Certificates	Weight	Color
SNESL	DC12V	270mA	· Warning sound(Buzzer) : Max.105dB		3.65kg	<ul style="list-style-type: none"> <li>● R-Red</li> <li>● A-Amber</li> <li>● G-Green</li> <li>● B-Blue</li> </ul>
	DC24V	340mA			3.65kg	
	AC120V	90mA			4.30kg	
	AC230V	50mA			4.30kg	

- Long-lasting high intensity LED light source
- Suitable for applications where bulb replacement is hard
- Built-in steady/flashing selection switch
- Flashing rate: 60-80 flashes/min



## SNES-S Explosion Proof Xenon Strobe Signal Beacon with Siren Buzzer

Model number	Voltage	Current	Xenon lamp			Sound pattern/ dB	Certificates	Weight	Color	
			Spec	Standard	Parts no					
SNES-S	DC12V	590mA				· Warning sound(Buzzer) : Max.105dB		3.60kg	● R-Red	
	DC24V	450mA	200V	BGA2120	47				3.60kg	● A-Amber
	AC120V	120mA	-350V						4.25kg	● G-Green
	AC230V	80mA		I type					4.25kg	● B-Blue

- Lamp connector fastening structure allows for convenient lamp replacement
- Excellent long-distance visibility with strong flashing signal diffusion
- Flashing rate: 60-80 flashes/min



SNES-S

## SNES Explosion Proof Bulb Revolving Signal Beacon with Siren Buzzer

Model number	Voltage	Current	Bulb			Sound pattern/ dB	Certificates	Weight	Color	
			Spec	Standard	Parts no					
SNES	DC12V	1.4A	12V15W	G23 15S	17	· Warning sound(Buzzer) : Max.105dB		3.70kg	● R-Red	
	DC24V	940mA	24V15W	G23 15S	18				3.70kg	● A-Amber
	AC120V	200mA	12V15W	G23 15S	17				4.40kg	● G-Green
	AC230V	110mA	12V15W	G23 15S	17				4.40kg	● B-Blue

- Excellent signal light diffusion effect with multi-faced reflector
- Revolving speed: 120-140RPM

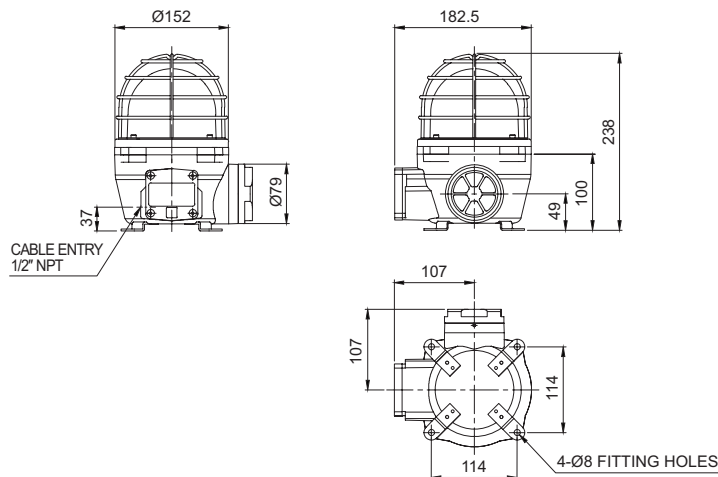


SNES

### Technical Diagram

·SNESLR / SNESL / SNES-S / SNES

Units: mm



### Ordering Specification

<b>SNES</b>	-	<b>230</b>	-	<b>R</b>	-	<b>IECEX</b>
[Model number]		[Voltage]		[Color]		[Certificates]
SNESLR		12-DC12V		● R-Red		IECEX
SNESL		24-DC24V		● A-Amber		ATEX
SNES-S		120-AC120V		● G-Green		KCs
SNES		230-AC230V		● B-Blue		TIIS(SNESLR only) CCC(NEPSI)

### Customization

- Explosion proof cable gland attached type available (Standard type does not come with explosion proof cable gland)
- 2 ways cable entries
- M20x1.5 cable entry(connector socket)
- 48VDC voltageproduct (excluding KCS, TIIS)