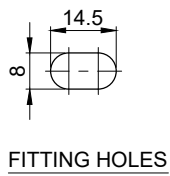
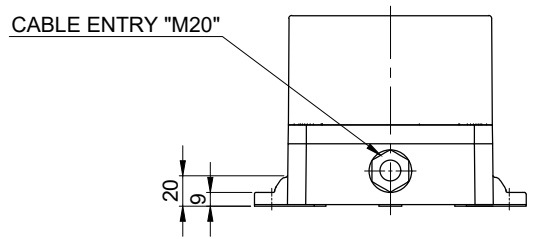
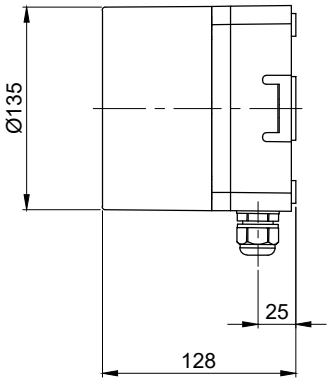
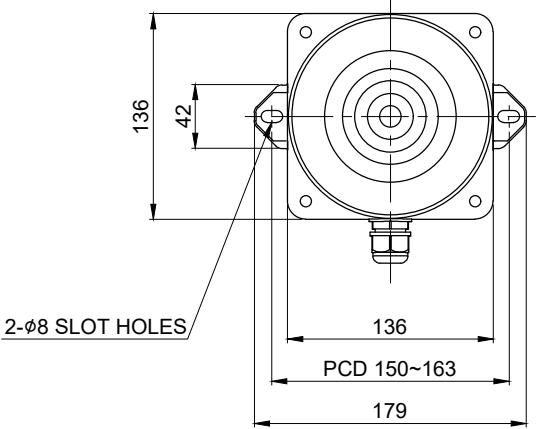


MARK	DATE	REVISION	REVISER	APP. BY
△1				
△2				
△3				

MODEL NO		QWCD35B	
MATERIAL		HORN-PC HOUSING-PC+ABS	
COLOR OF LENS		RED( ), AMBER( ), GREEN( ), BLUE( )	
USE VOLT.	CURRNET	DC12V	MAX. 0.64A
		DC24V	MAX. 0.45A
		AC110V ~ 220V	MAX. 0.2A
KIND OF SOUND	VOLUME	BUZZER MONO TONE	MAX. 115dB at 1m
PROTECTION GRADE		WATER & DUST PROOF - IP66	
CABLE ENTRY		φ21 CABLE ENTRY	
COLOR OF HOUSING		MAKER STANDARD	
ACTION		LED LAMP STROBE LIGHT	



FOR LINEAR DIMENSIONS	ISO2768-1 : CLASS OF TOLERANCE					SURFACE FINISH
	f	m	Ⓢ	v		
0.5~3	±0.05	±0.1	±0.2	-		
3~6			±0.3	±0.5		
6~30	±0.1	±0.2	±0.5	±1		
30~120	±0.15	±0.3	±0.8	±1.5		
120~400	±0.2	±0.5	±1.2	±2.5		
400~1000	±0.3	±0.8	±2	±4		
FOR ANGULAR DIMENSIONS	0~10	±1°	±1°30'	±3°		
	10~50	±0°30'	±1°	±2°		
	50~120	±0°20'	±0°30'	±1°		
	120~400	±0°10'	±0°13'	±0°30'		

Nr.	DWG. NO.	TITLE/ NAME	MAT'L	QTY	REFERENCE
DSND BY	CHKD BY	CHKD BY	APRV BY	VIEW	DATE
J.Y.KIM	J.Y.KIM		J.W.KIM	3	2023.04.11
TITLE			MODEL		
QWCD35B OUTLINE DRAWING			QWCD35B		
DWG. NO.			SCALE		
QWCD35B_OUT			N/S		
SIZE	REV	SHEET			
A4	00	1/1			

