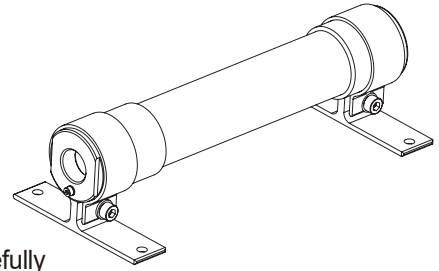
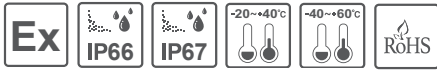


Explosion Proof LED Luminaires

QLEX-NEC-250



Thank you for purchasing Qlight's products. Please read this user manual carefully prior to installation and operation to ensure safe and correct use.

⚠ Safety Precautions for Explosion Proof Products

Please follow the instruction below to ensure safe and correct use of explosion proof products.

1. Explosion proof products should be managed according to explosion-proof regulations. Do not disassemble, assemble, alter or repair the product arbitrarily.
2. The temperature rating of the product is the temperature the product will experience at the applied rated voltage and ambient temperature indicated.
3. Use cable glands that satisfy the product's explosion proof grade and temperature grade.
4. Before installing the product, please make sure all cautions indicated on the labels, packaging, and operation manual of the product are fully understood.
5. Installation, maintenance and repair of the product must be performed by experts in the explosion proof field, or persons who have received relevant training.
6. For safety, the product should be installed and operated in environments that avoid high temperature and high pressure.
7. Please follow general safety precautions and avoid installing the product in locations that may generate excessive heat.
8. When installing the product in places where chemicals are located, please make sure that the environment does not have two or more incompatible chemicals mixed. For safety, please read the instruction manual carefully and be mindful of the chemical compositions where the product is used.
9. Be cautious of generating static electricity when installing the product. To avoid static electricity, use static-protective accessories or wear anti-static gloves when handling the product.
10. Please refer to NEC Article 411 for the selection and connection of an appropriate power supply.

⚠ Precaution for Safety

Failure to follow the instructions below may cause a loss of life or serious physical injury.

1. During wiring or maintenance, please completely turn off the power of the product. (Failure to follow this may lead to an electric shock.)
2. Do not install the product in locations that subjects it to excessive dust or water other than the conditions designated by the IP protection ratings indicated for each product. (Failure to follow these instructions may cause a fire to the product, electric shock, physical injury, malfunction or damage to the product.)
3. Do not alter or repair this product. If maintenance or repair service is required, please contact your local Qlight contact point. (Failure to follow these instructions may lead to fire, electric shock, or product damage.)
4. Please apply the correct voltage to the product. (Failure to follow these instructions may lead to fire, electric shock, or product damage.)
5. When the product is applied to a condition that may impact lives or property, please make sure to have a double safety device. (Failure to follow this may cause damage to property, fire, electric shock and loss of life.)

⚠ Precautions for Correct Use

Failure to follow the proper instructions may cause damage to property, the product, or malfunction of the product that would void the warranty.

1. Please remove any objects that can interrupt ventilation around the product.
2. Please turn off the power of the product immediately if it fails to operate properly.
3. Carefully wire the product according to each product's specification.
4. Failure to follow any of the instructions above may cause malfunction or damage to the product, fire, and electric shock.
5. Do not clean the lens tube using volatile liquids such as a thinner, benzene, or solvent. If the lens tube is opaque (not transparent) or has severe scratches when delivered, it must be replaced by the manufacturer. The anti-static strips attached along the length of the lens tube body must be treated with extra care.



Please scan the QR code for more detailed product information.

www.qlight.com

Ordering Specifications



QLEX-NEC	-	250	-	24
[Model number]		[Length]		[Voltage]
• QLEX-NEC		• 250-250mm		• 24-DC24V

Product Specifications

■ Explosion Proof Specifications

Model number	QLEX-NEC-250
Range for operating voltage	DC21.6V-26.4V
Ex mark	Class I, Zone 1, AEx db IIC T6 Gb Class I, Division 2 Groups ABCD T6 Ex db IIC T6 Gb
Ambient operating temperature	-20°C ≤ Tamb ≤ +40°C (INTERTEK-NRTL) -40°C ≤ Tamb ≤ +60°C (IECEX)
Explosion proof Group / Zone	Class I, Zone1 Class I, Division2
Applicable standard	UL 60079-0 UL 60079-1 UL 2108 UL 8750

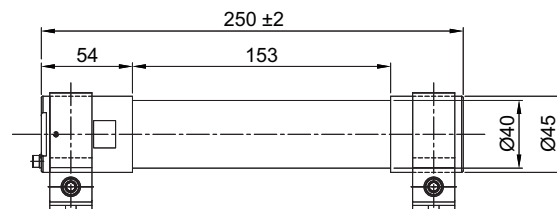
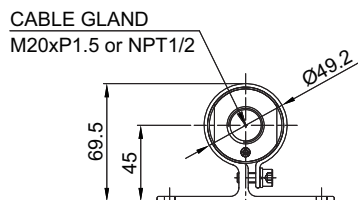
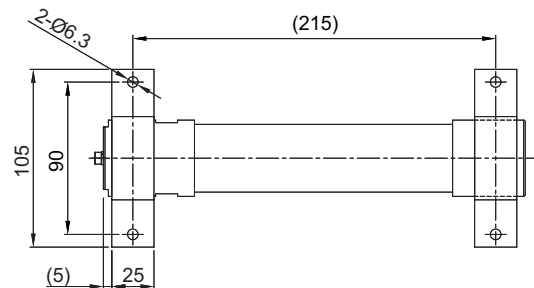
■ Optics Specifications/ General Product Specification

Optics Specifications	
Model number	QLEX-NEC-250
Lens color	Translucent
Light color (Standard)	Cooldaylight
Color temperature (Standard)	6,000-7,000K
Luminous flux	-
Illumination(at 1m)	310Lux
General Product Specification	
Model number	QLEX-NEC-250
Rated voltage	24VDC
Range for operation voltage	DC21.6V-26.4V
Power consumption	8.6W
Insulation resistance	Min.100MΩ(500VDC mega ohm meter)
Withstanding voltage	DC: 500VAC, 60Hz, 1 minute
Protection rating	IP66/67
Materials	Side cover-Al, Lens-PC, Bracket-Al
Certificate	  CE
Weight(approx.)	0.50Kg

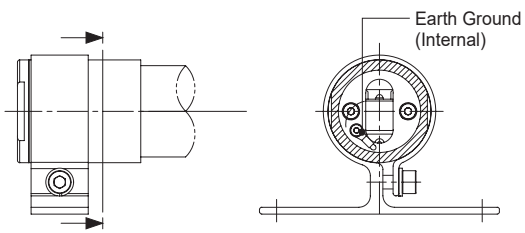
Dimensions

(Units : mm)

QLEX-NEC-250

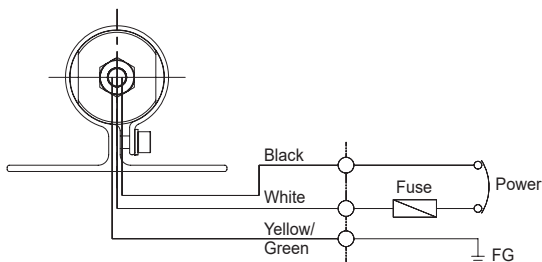


Grounding Instructions



- Please use an M3 bolt at the location marked in the diagram to ground the product.
- When connecting the grounding cable, please use a ring terminal(Ø3.2mm).
- Please use a grounding cable with a diameter greater than 4mm.
- Please make sure to ground the common line(-) of the product.
- Internal grounding terminal shall be used for the equipment grounding connection and that the external terminal is for a supplementary bonding connection where local codes or authorities permit or require such connection.

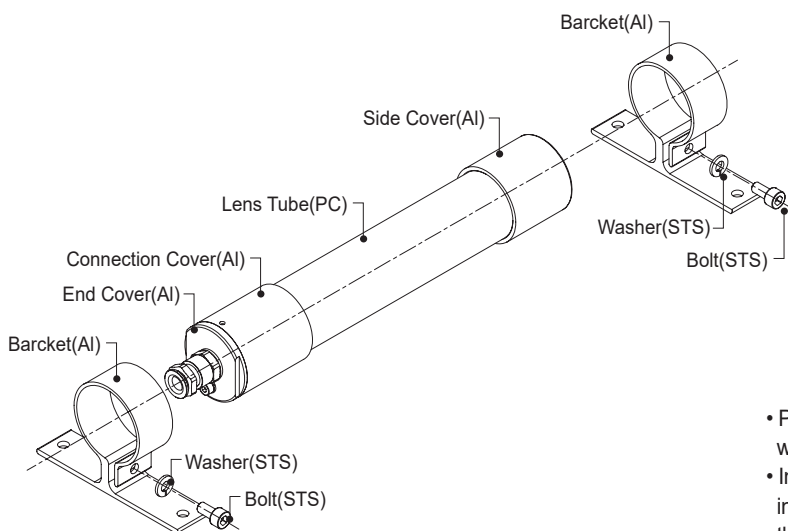
Wiring Instructions



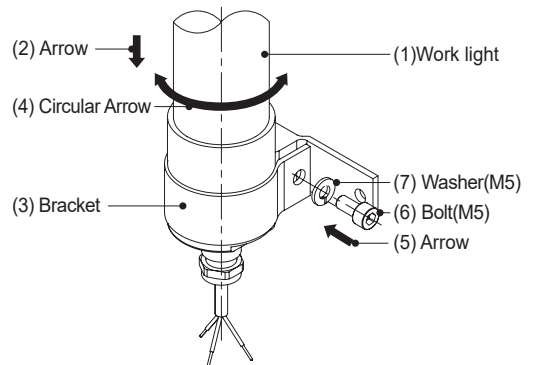
- External power line - UL 1277 TC-ER 18AWGx3C
- This product can be wired regardless of polarity.

Parts Definition/ Bracket Fixing Instructions

■ Parts Definition



■ Bracket Fixing Instructions



- Please place the product on desired surface area and secure it with brackets (either horizontal or vertical direction is possible).
- Insert the lens tube (1) into the bracket (3) in the direction indicated in the diagram (2). Adjust the lighting direction (4) to the desired position.
- Washer M5 (7) and bolt M5 (6) to the bracket in the direction indicated in the diagram (5).

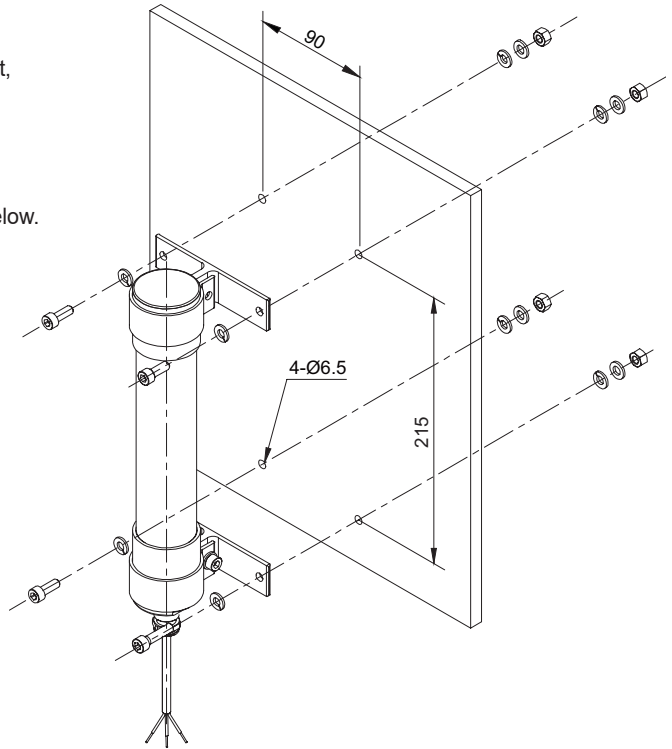
Installation/ Mounting Hole Specifications

■ Installation

- First, machine taps or holes on the mounting surface.
- The mounting hole of this product is 6.5mm in diameter(hole).
- When machining taps, fasten the bolt through the mounting hole of the product.
- When machining holes, insert the bolt through the hole of the product, and tighten the nut from the opposite side of the mounting surface.

■ Mounting Hole Specifications

- Machine holes on the mounting surface referring to the diagram below.



Installation Environment and Protection Rating

- This product is designed to be explosion proof.
- Please make sure to use the product in an environment that meets the specified explosion proof rating and regulations.
- For further information, please visit our website (www.qlight.com).

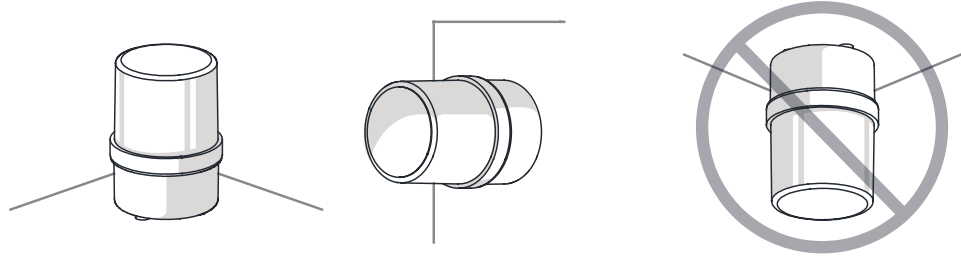
Product installation direction

■ Install the product in accordance with the manual. Otherwise rainwater or moisture may penetrate into the product.

· BEACON/SIGNALING LIGHT

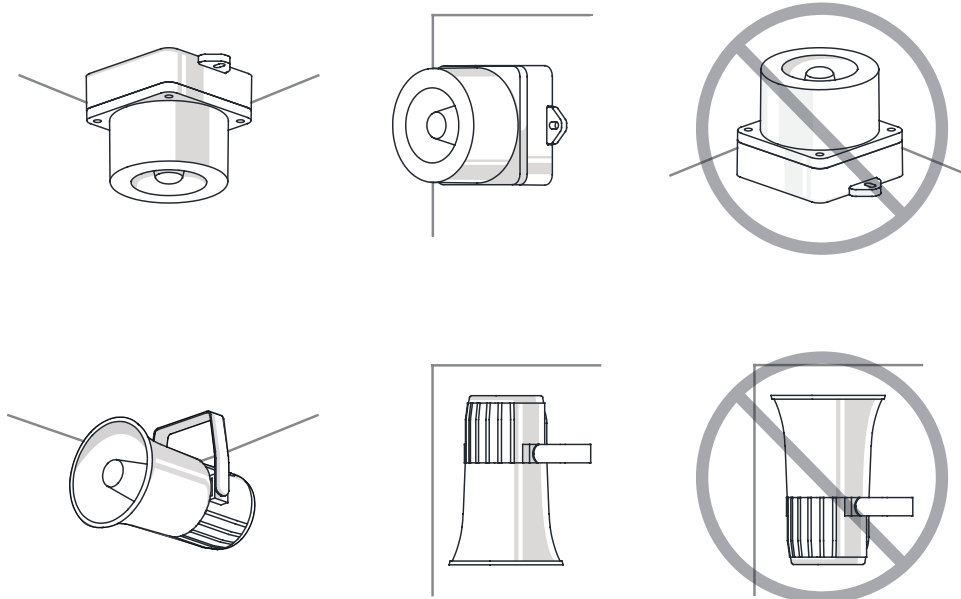
※ For products with a protection rating of less than IPX4, please install it vertically.

Power cord inlet part shall not be facing the sky.



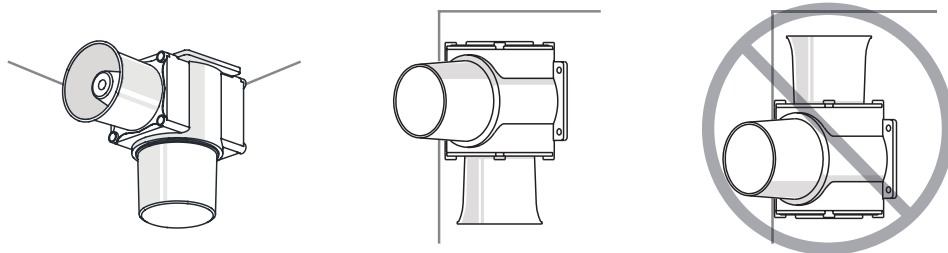
· ELECTRONIC SOUNDER/SIGNAL HORN

Sounder part shall not be facing the sky.



· HEAVY-DUTY & EXPLOSION PROOF SIGNALINGS

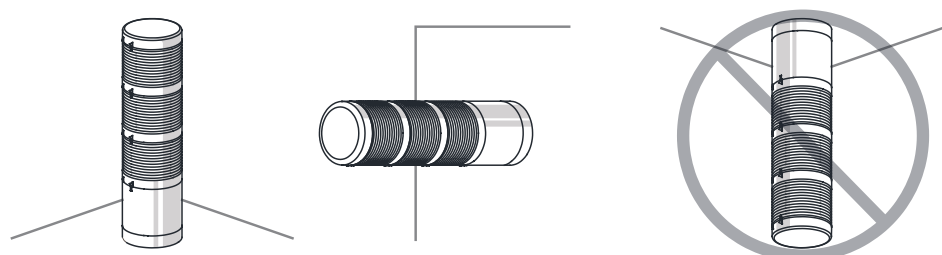
Sounder part shall not be facing the sky.



· SIGNAL TOWER LIGHTS

※ For products with a protection rating of less than IPX4, please install it vertically.

Power cord inlet part shall not be facing the sky.





For your safety

Specification and dimensions listed in this catalogue subject to change without notice for product quality improvement.
The newest product information is available on our website.(www.qlight.com)
Please read the instruction manual attached to the product carefully before installation and use.

Korea Corporation Qlight Co., Ltd. www.qlight.com | trade@qlight.com

Head Office | Suite #1510, STX-V Tower, 128 Gasan Digital 1-ro, Geumcheon-gu, Seoul, 08507, South Korea

Tel: +82-2-2679-6152 Fax: +82-2-2679-6154

Factory(Gimhae Production Headquarters) | 185-25, Mukbang-ro, Sangdong-myeon, Gimhae-si, Gyeongsangnam-do, 50805, South Korea

Tel: +82-55-328-1111

Overseas Sales Department | Qlight Building, 704 Nakdong-daero, Sasang-gu, Busan 47044, South Korea Tel: +82-51-620-4100

Busan Business Center | Qlight Building, 704 Nakdong-daero, Sasang-gu, Busan 47044, South Korea Tel: +82-51-245-0017

China Corporation SHANGHAI Qlight Electronic Co., Ltd. www.qlight.com www.qlightcn.com | qlightcn@qlight.com

Sales Corporation (Shanghai) | Room 333 Building B, No.11, Lane 450, Zhenda Road, Baoshan District, Shanghai, China

Tel: +86-21-6651-7100 Fax: +86-21-6315-3929

Manufacturing Corporation (Qidong) | No.33, Haiyan Road, Qidong High-tech Industrial Development Zone, Qidong, Jiangsu Province, China

Tel: +86-513-8384-9999 Fax: +86-513-8384-9910

Qlightec

Innovation in Alarm & Signal

Product Operation Inquiry / Customer Support +82-51-620-4100

You can expect prompt service if you have exact information such as model name, symptom, telephone number and address.

※ ALL PRODUCT, PRODUCT SPECIFICATIONS AND DATA ARE SUBJECT TO CHANGE WITHOUT NOTICE TO IMPROVE RELIABILITY, FUNCTION OR DESIGN OR OTHERWISE.

Head office : Suite #1510, STX-V Tower, 128 Gasan digital 1-ro, Geumcheon-gu, Seoul, Korea (Postal Code : 08507)

Factory : 185-25, Mukbang-Ro, Sangdong-Myeon, Gimhae-Si, Gyeongsangnam-Do, Korea (Postal Code : 50805)

www.qlight.com

QLEX-NEC-250EN-2603A