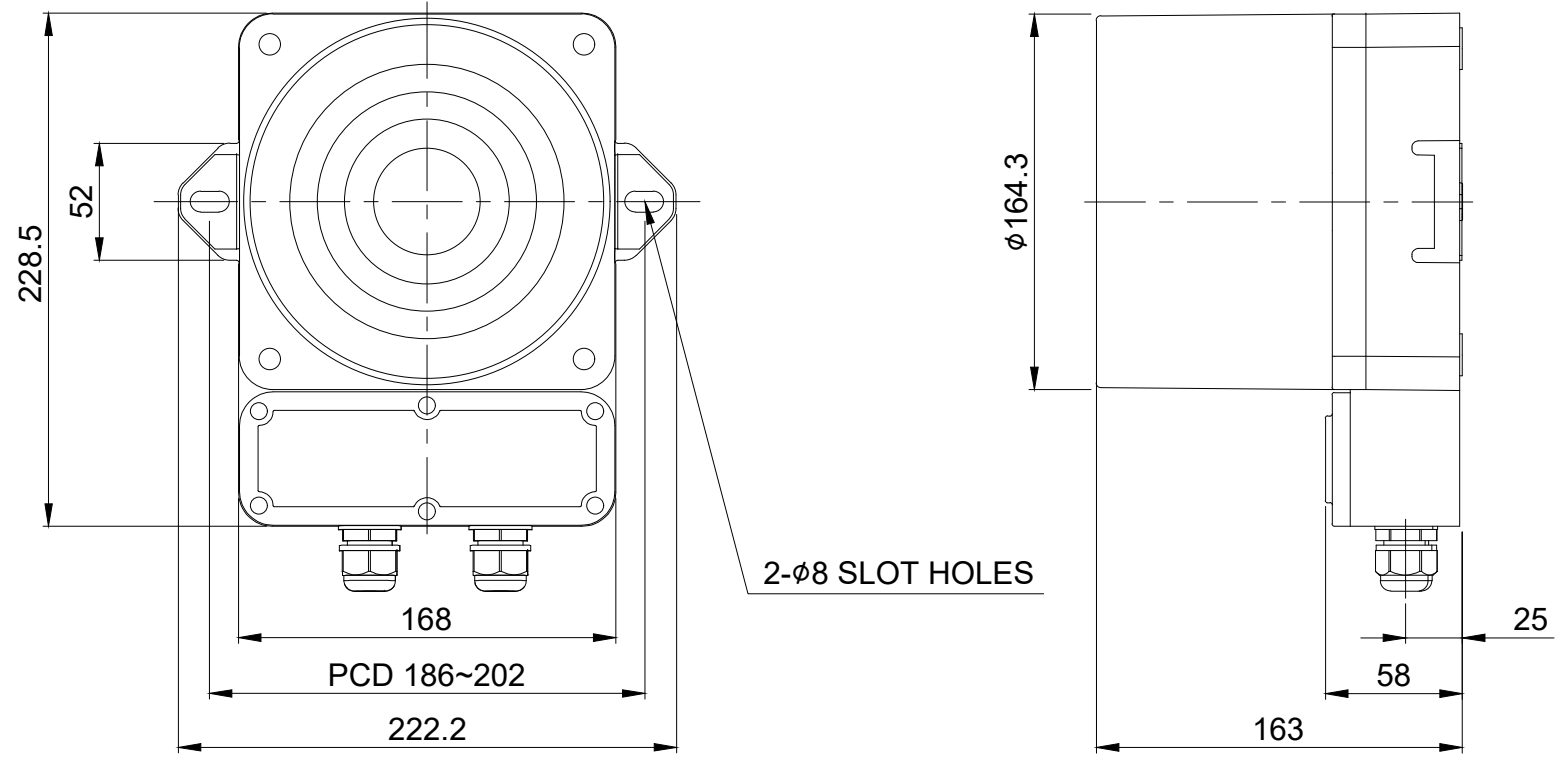


1 2 3 4 5 6

A

A



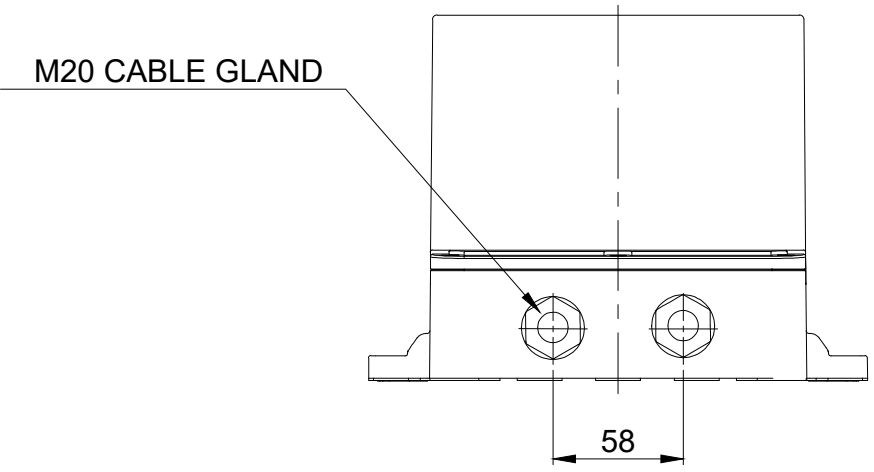
2- ϕ 8 SLOT HOLES

MARK	DATE	REVISION	REVISER	APP .BY
①				
②				
③				

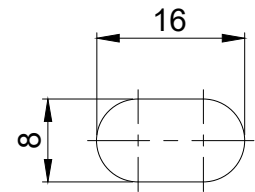
MODEL NO		QWCD50-TI		
MATERIAL		HORN-PC HOUSING-PC+ABS		
COLOR OF LENS		RED(), AMBER(), GREEN(), BLUE()		
USE VOLT.	CURRENT	DC12V ~ 24V AC110V ~ 220V	0.2W	MAX. 4.740A MAX. 0.820A
CHANNEL		BINARY INPUT		31CH
KIND OF SOUND	VOLUME	WARNING SOUNDS 31Ch		MAX. 123dB at 1m
PROTECTION GRADE		WATER & DUST PROOF - IP66		
CABLE ENTRY		M20 CABLE GLAND x 2		
COLOR OF HOUSING		MAKER STANDARD		
ACTION		LED LAMP STROBE LIGHT		

B

B



M20 CABLE GLAND



FITTING HOLES

C

C

D

D

	ISO2768-1 : CLASS OF TOLERANCE					SURFACE FINISH
		f	m	Ⓢ	v	
FOR LINEAR DIMENSIONS	0.5~3	±0.05	±0.1	±0.2	-	
	3~6			±0.3	±0.5	
	6~30	±0.1	±0.2	±0.5	±1	
	30~120	±0.15	±0.3	±0.8	±1.5	
	120~400	±0.2	±0.5	±1.2	±2.5	
	400~1000	±0.3	±0.8	±2	±4	
FOR ANGULAR DIMENSIONS	0~10	±1°		±1°30'	±3°	
	10~50	±0°30'		±1°	±2°	
	50~120	±0°20'		±0°30'	±1°	
	120~400	±0°10'		±0°13'	±0°30'	

-									
Nr.	DWG. NO.	TITLE/ NAME		MAT'L	QT'Y	REFERENCE			
DSND BY	CHKD BY	CHKD BY	APRV BY	VIEW	DATE				
C.S.GWAK	J.H.PARK		J.K.HAN	3	2021.10.08				
TITLE			MODEL						
QWCD50-TI OUTLINE DRAWING			QWCD50-TI						
DWG. NO.									
QWCD50-TI_OUT									
SCALE	SIZE	REV	SHEET						
1/1	A4	00	1/1						



1 2 3 4 5 6 A4(297X210)